

**A-4/V-2 rocket with
Support and Supply vehicles**

Model authors

A4 rocket: Mark Balderama, modified by Kaero

Vehicles: Wolfram Broszies and Kaero

Instructions: Kaero

Model informations

Scale: 1:110.

Model version: 11 (.io format).

Instructions version: 1.

Instructions license: [Creative Commons Attribution 4.0 International \(CC BY 4.0\)](#) 2019.

Instructions generated using [Studio 2.0](#) by [Bricklink](#).

Literature

Webpage dedicated to V2: <http://www.v2rocket.com/>

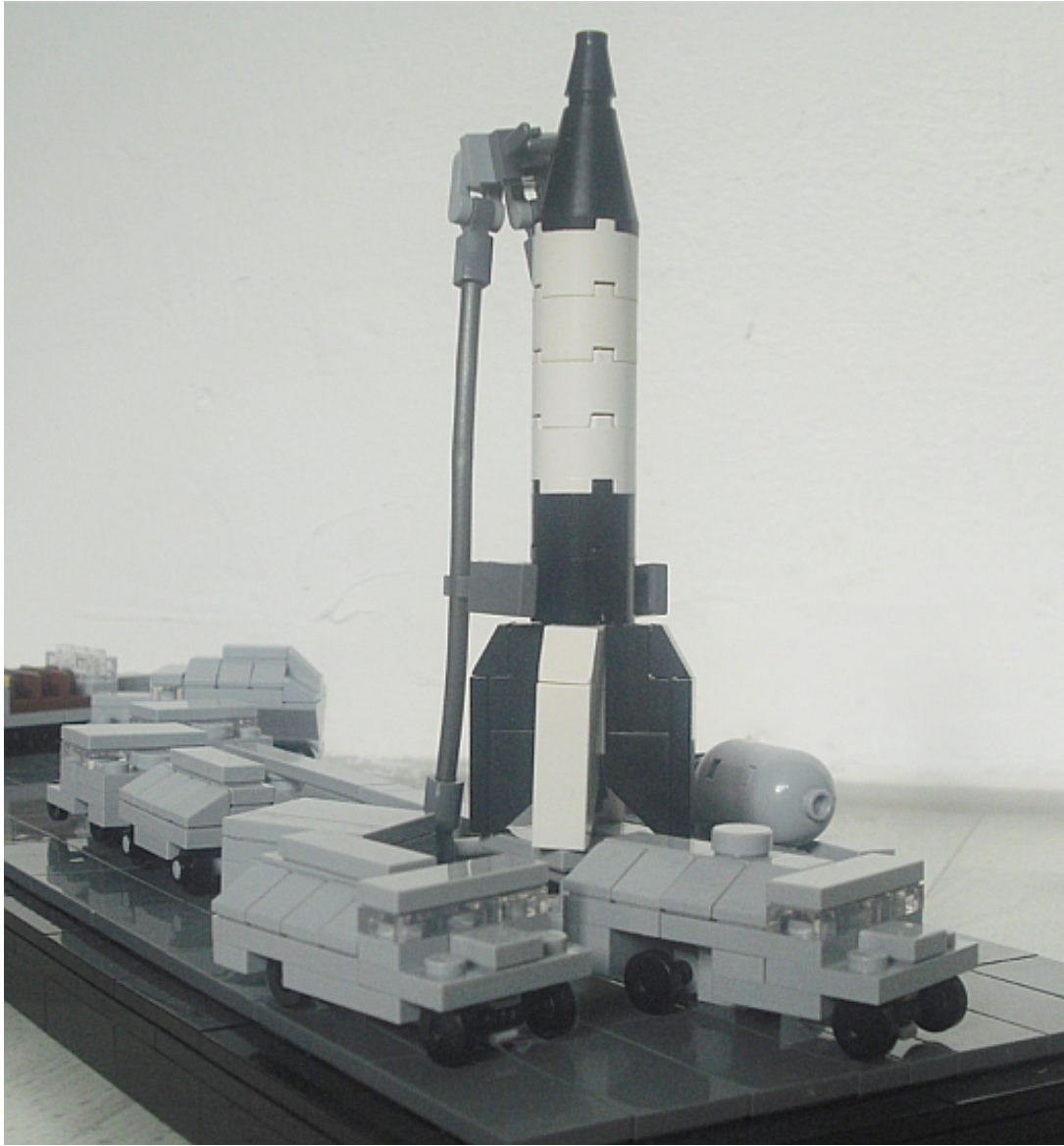
Book about use of V2: http://www.v2platform.nl/book/V2book_contents.html/

Set of V2 photos: <https://rarehistoricalphotos.com/v2-rocket-in-pictures/>

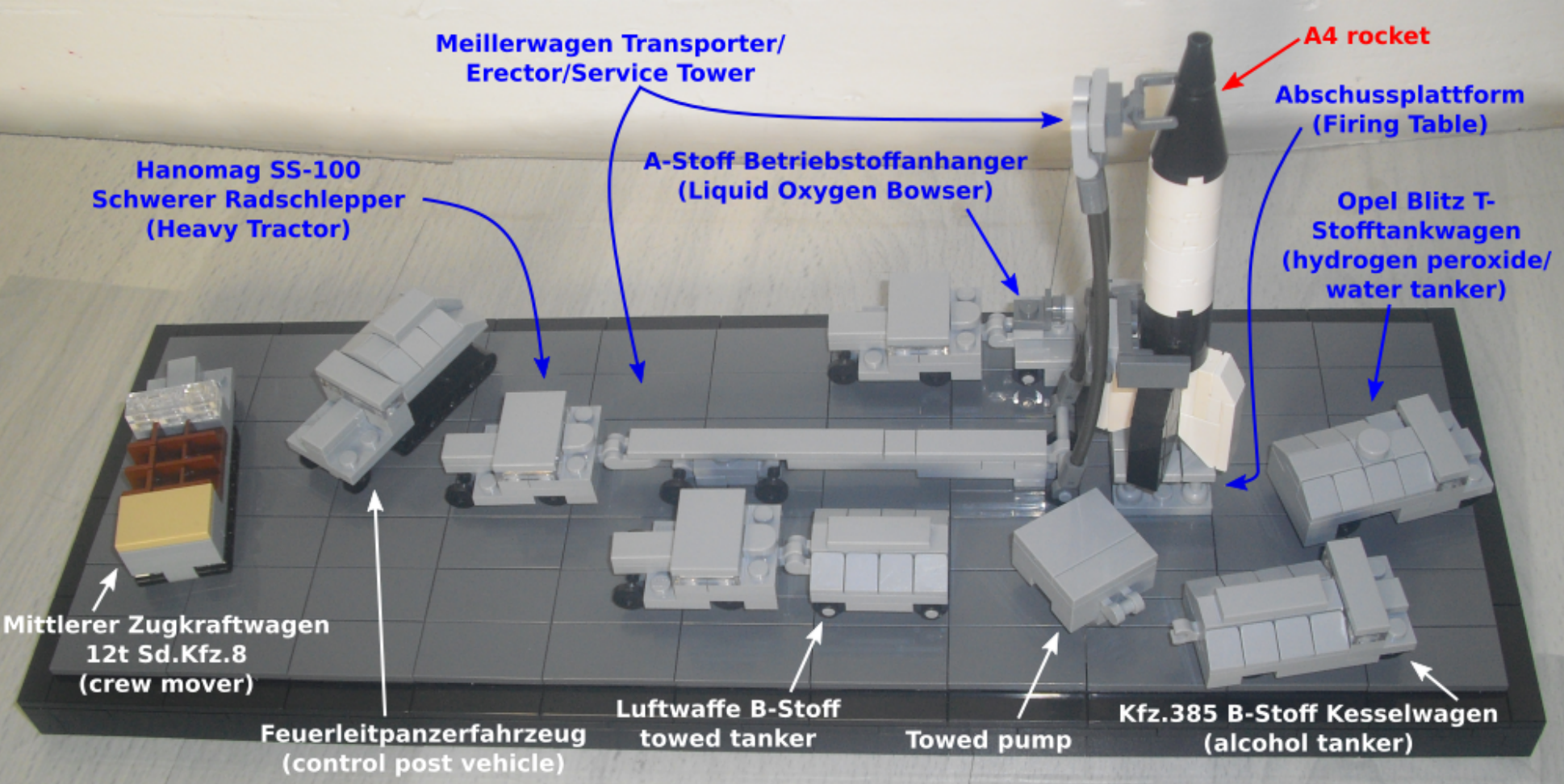
Video of launch sequence: <https://www.youtube.com/watch?v=wk19BwTAueo/>

Book with LEGO rocket models: <http://www.ametria.org/lego/>

Model is based on following historical photo (from <https://rarehistoricalphotos.com/v2-rocket-in-pictures/>):

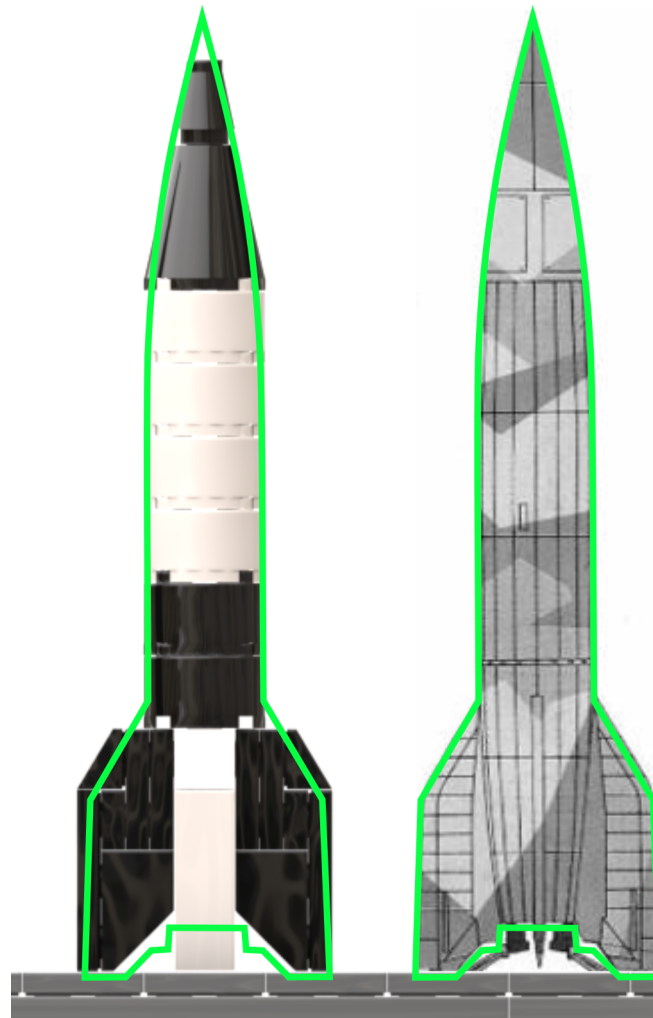


Description of components:

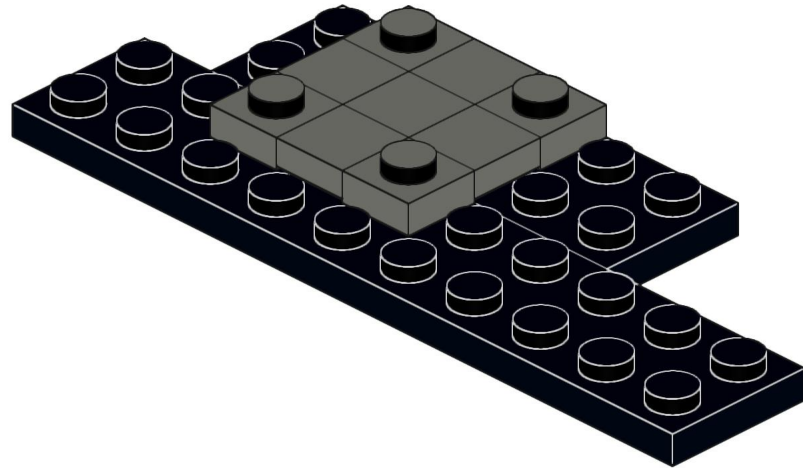
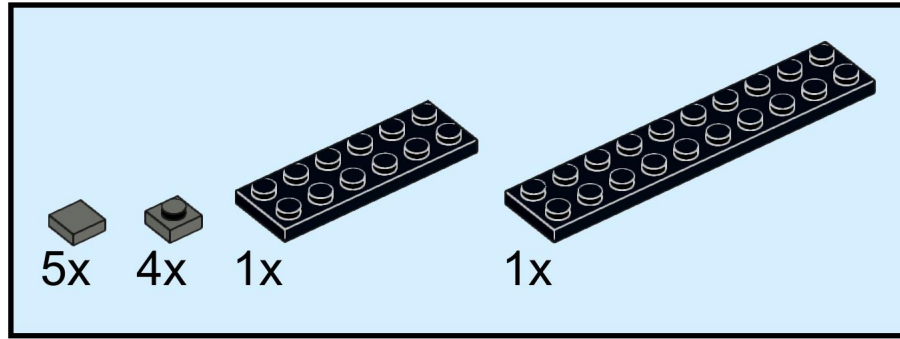
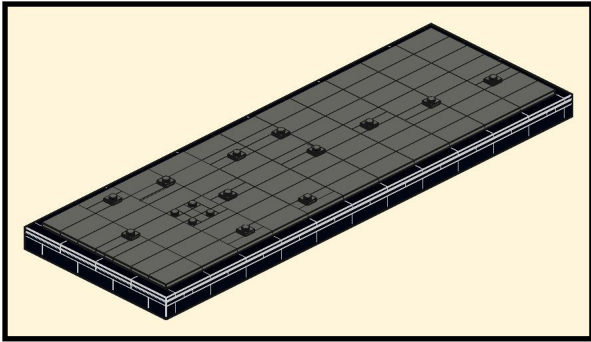


The rocket and supply vehicles are modelled based on real photographs to get correct size.

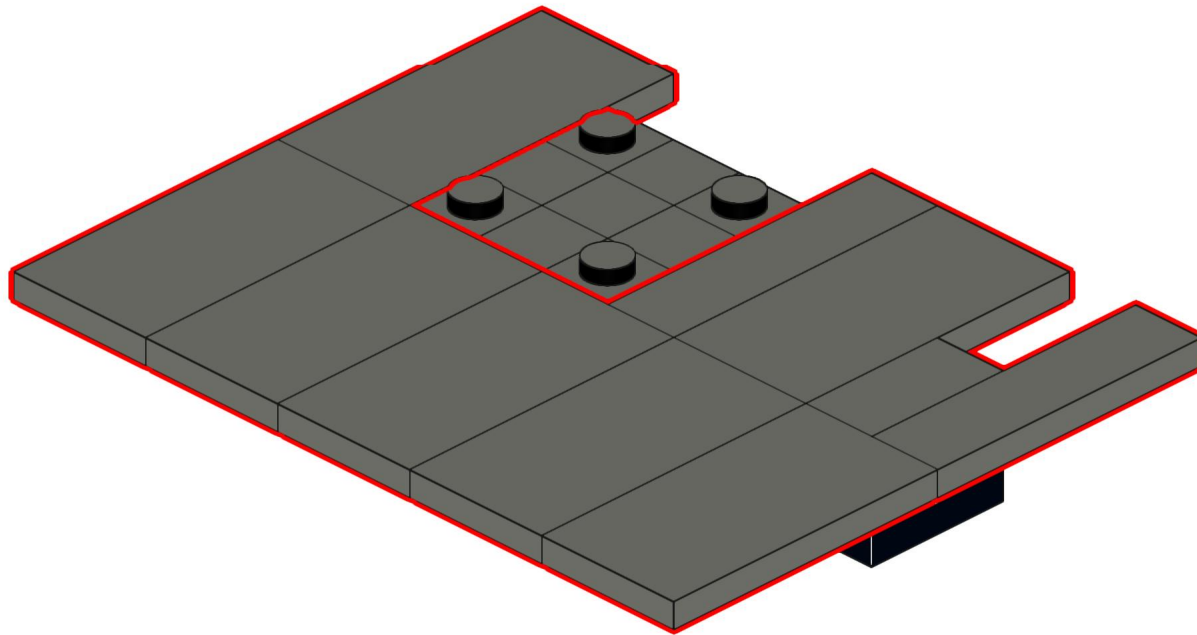
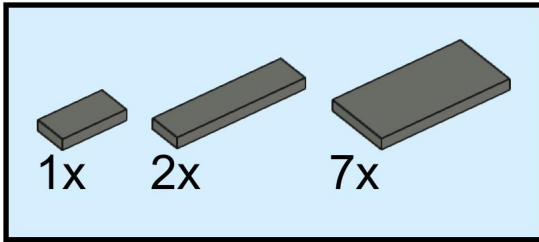
The comparison of model to the real rocket scaled to 1:110:



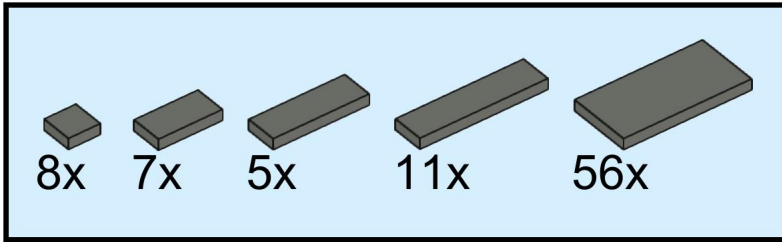
1



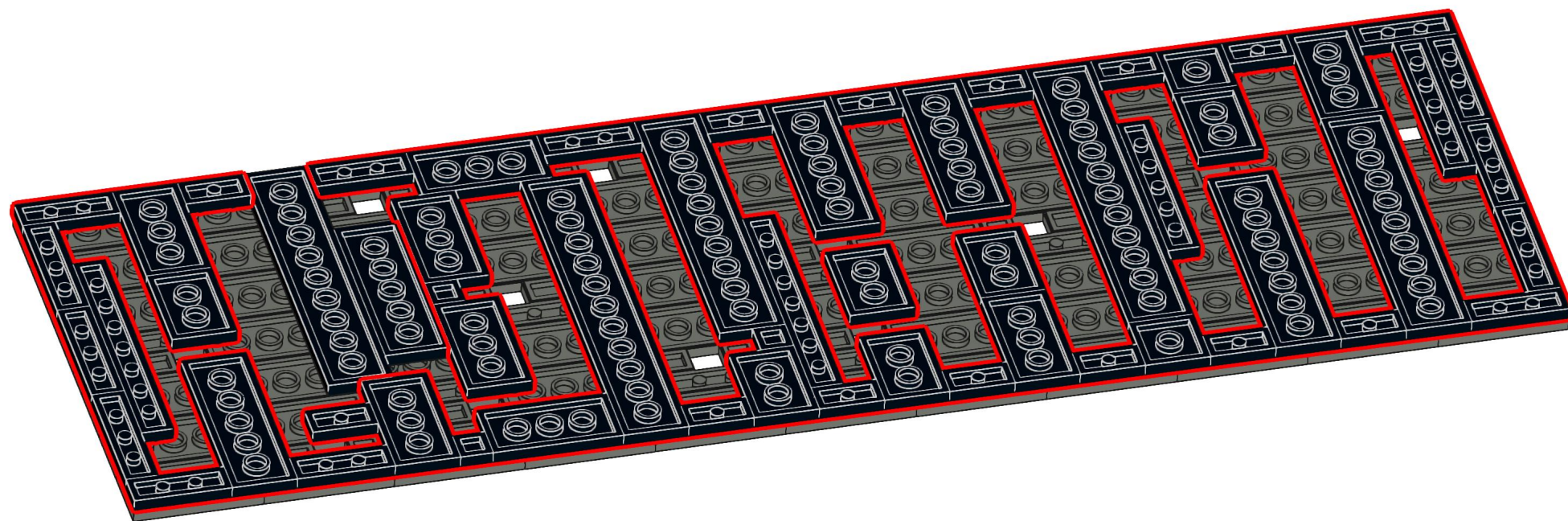
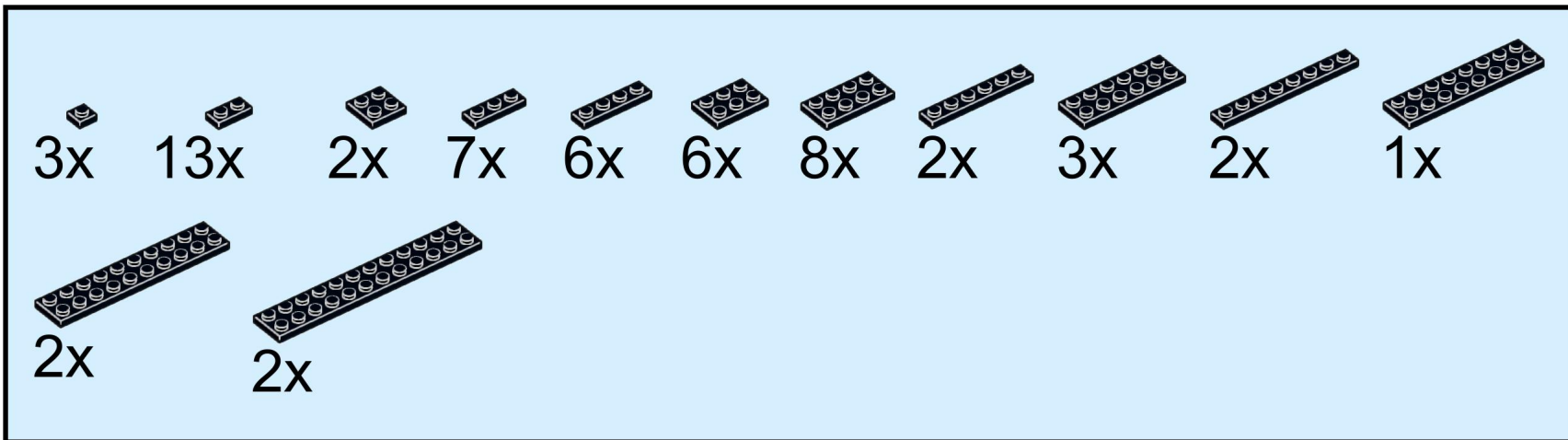
2



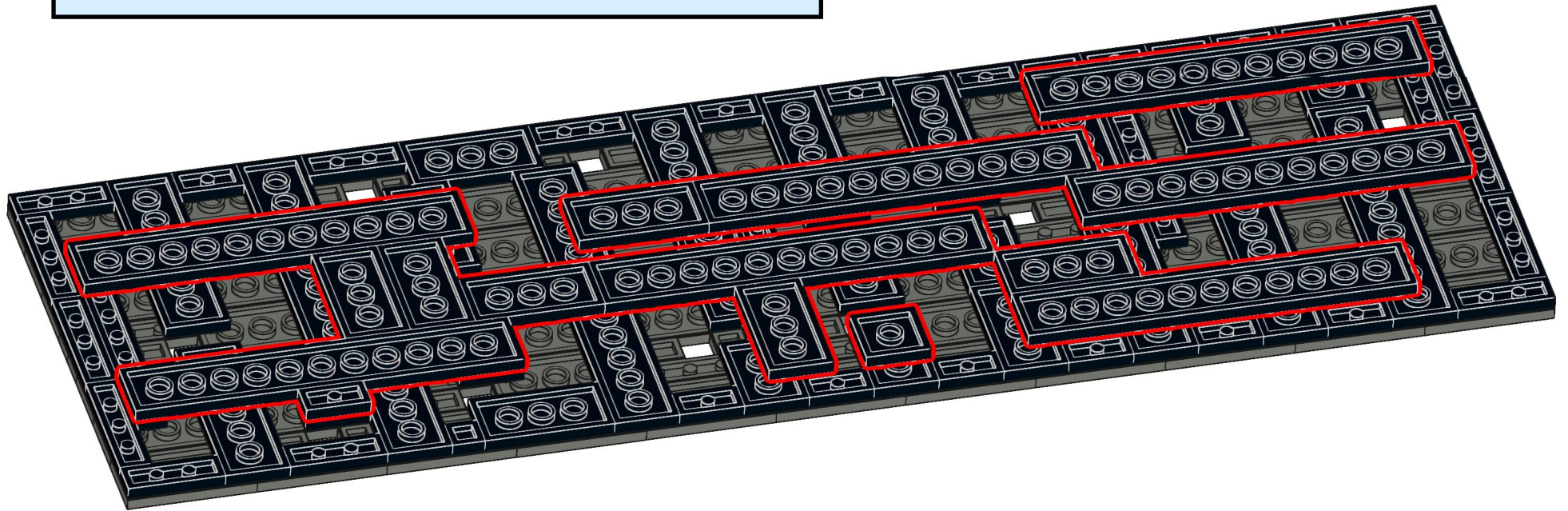
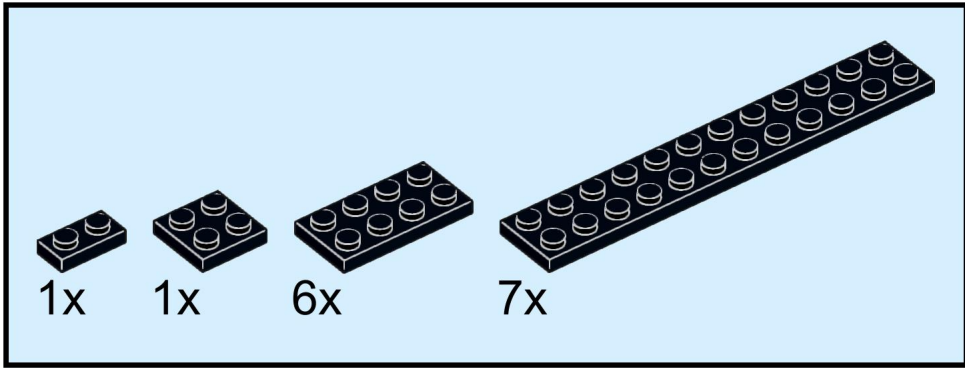
3



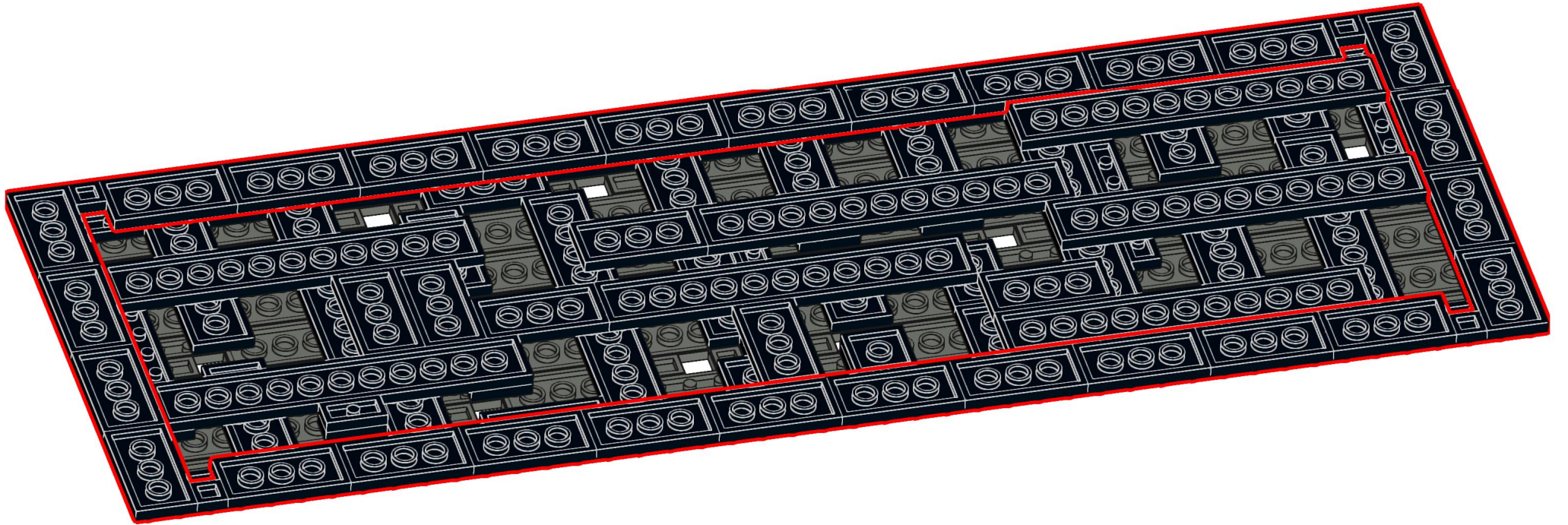
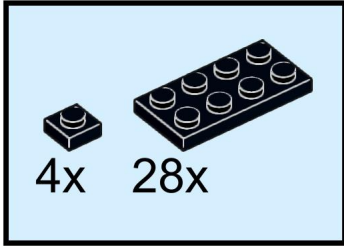
4



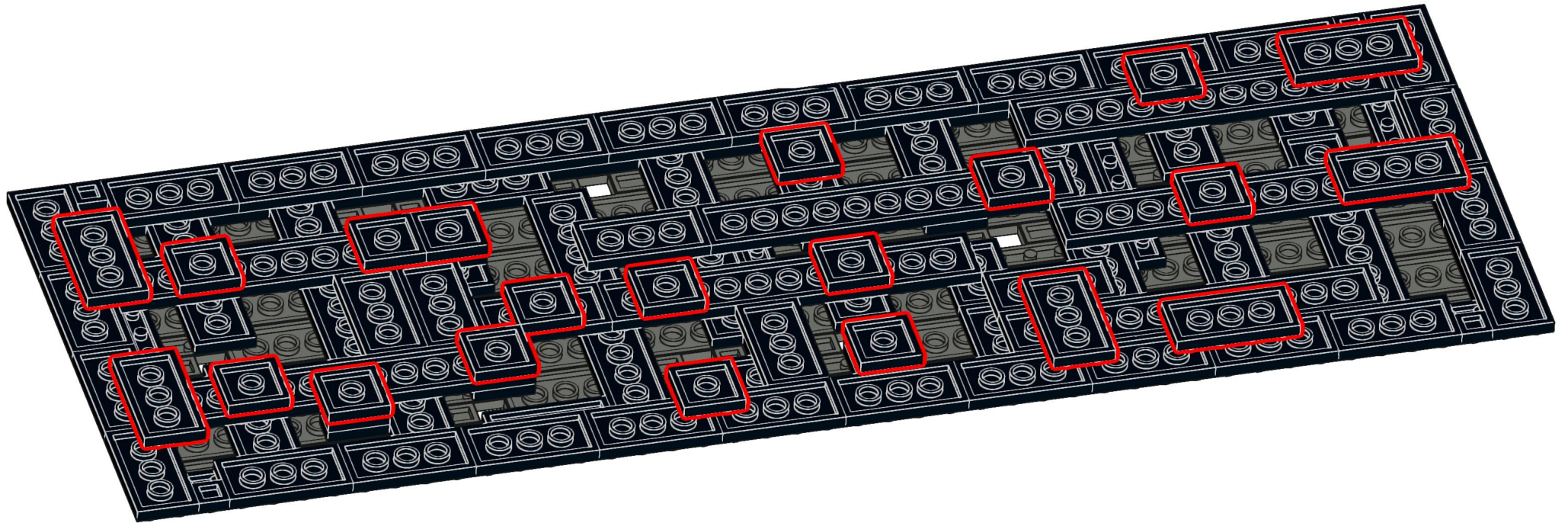
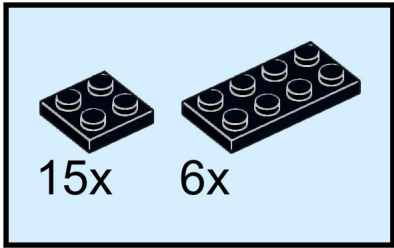
5



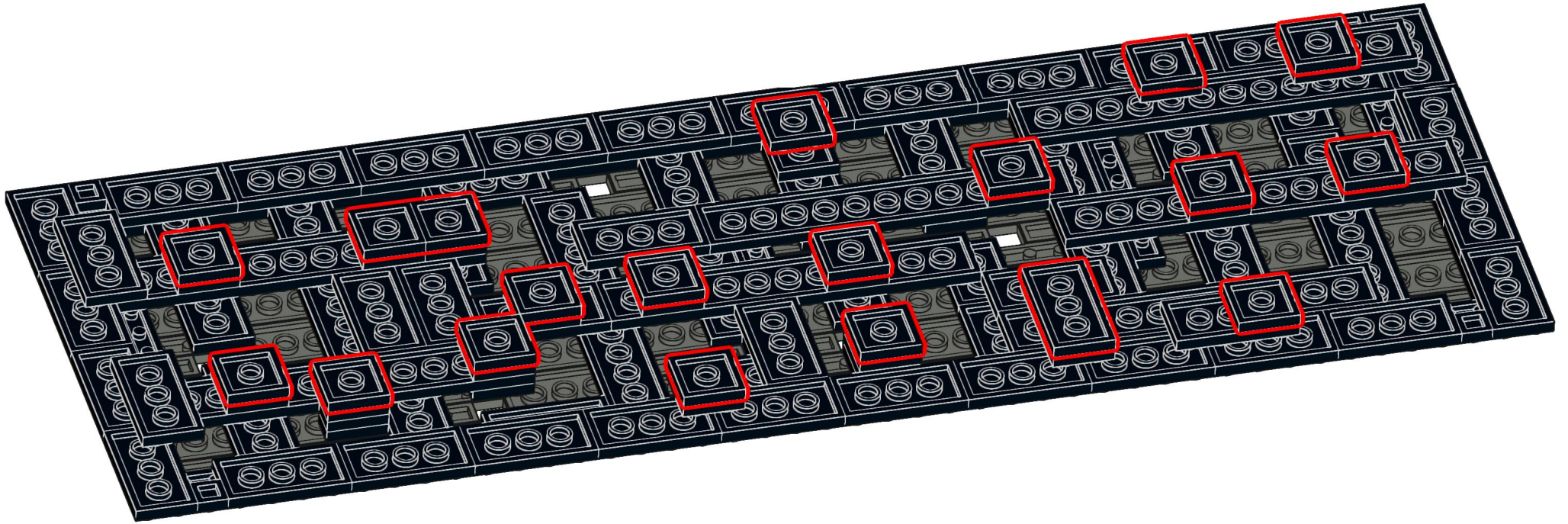
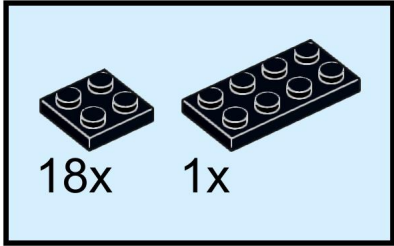
6



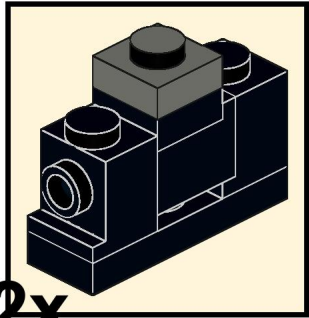
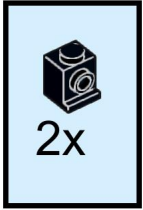
7



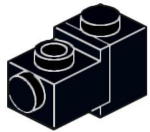
8



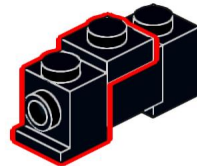
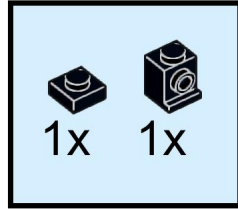
9



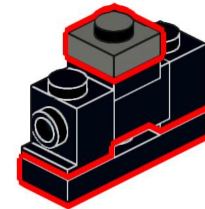
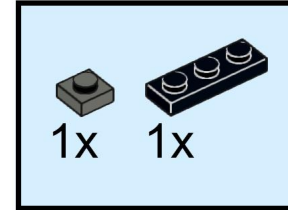
12x



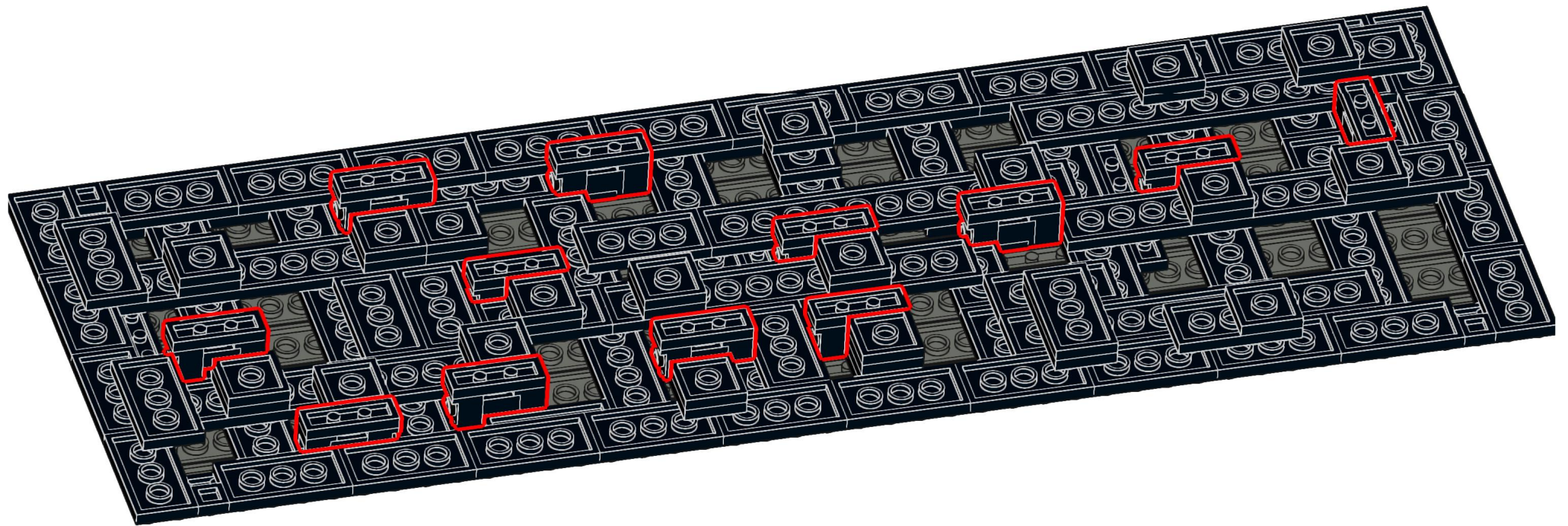
10



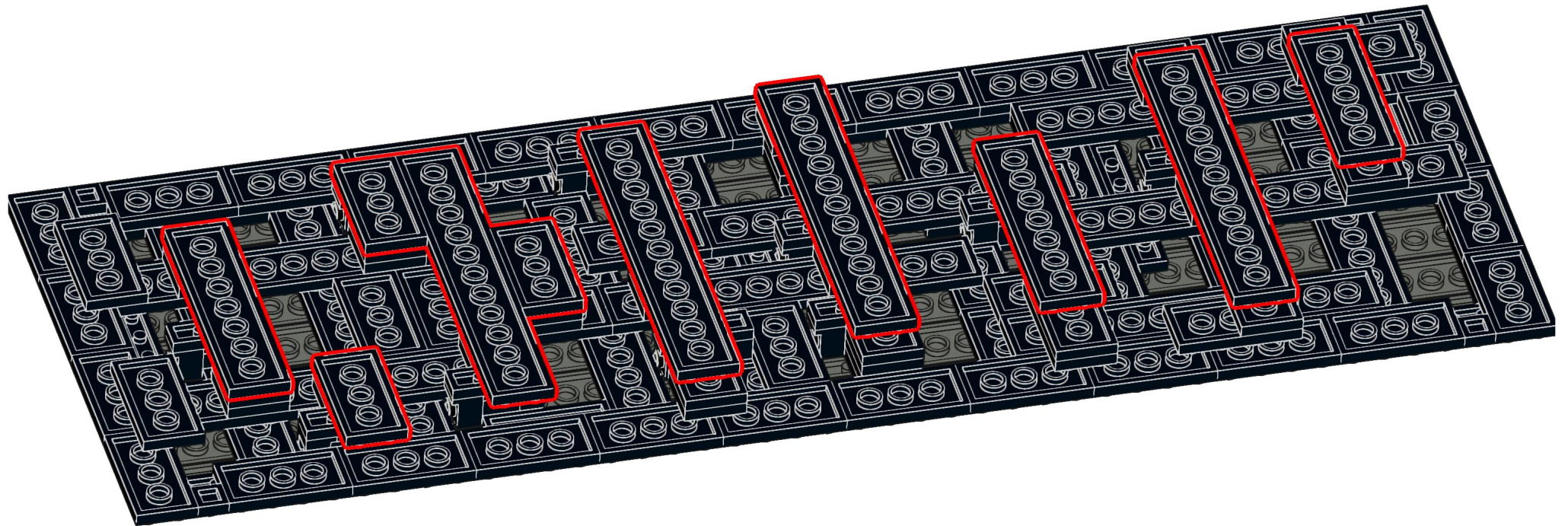
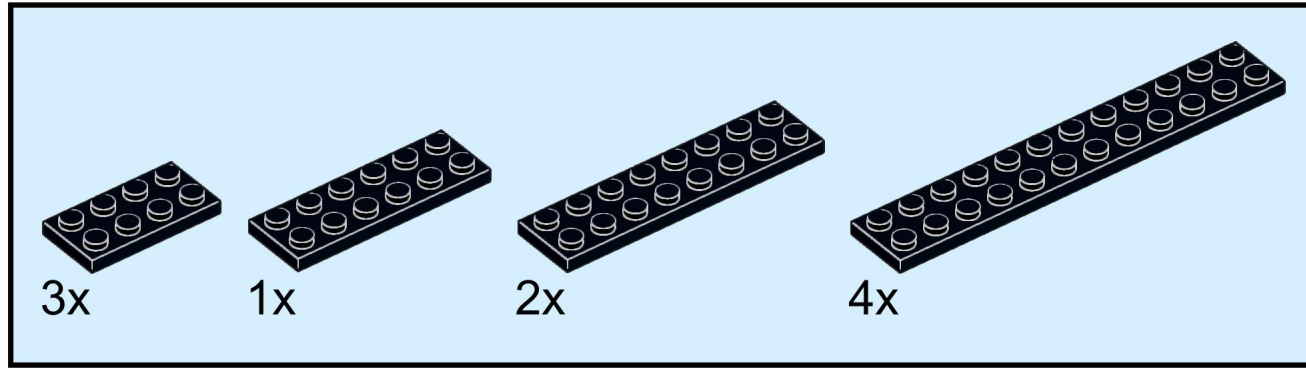
11



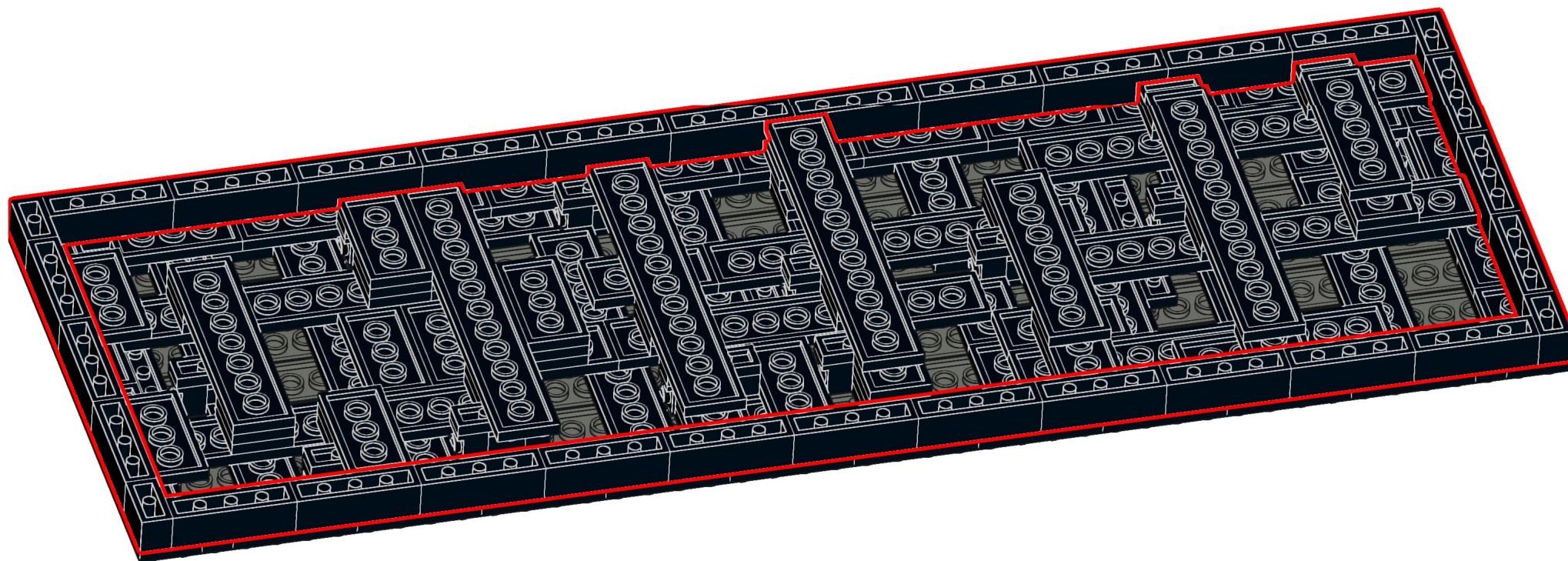
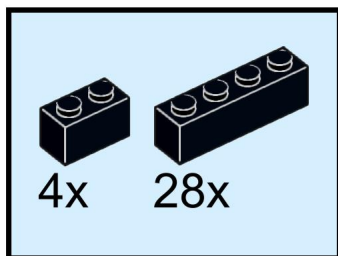
12



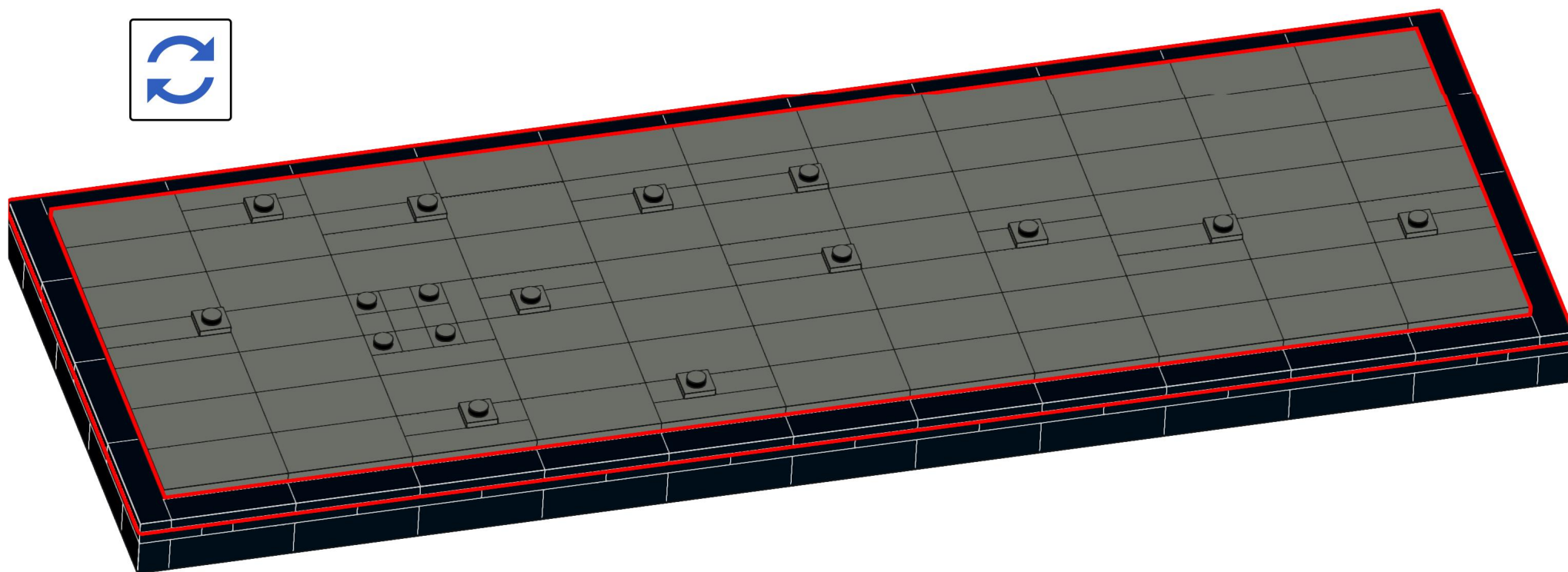
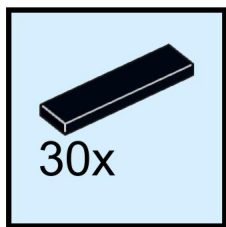
13



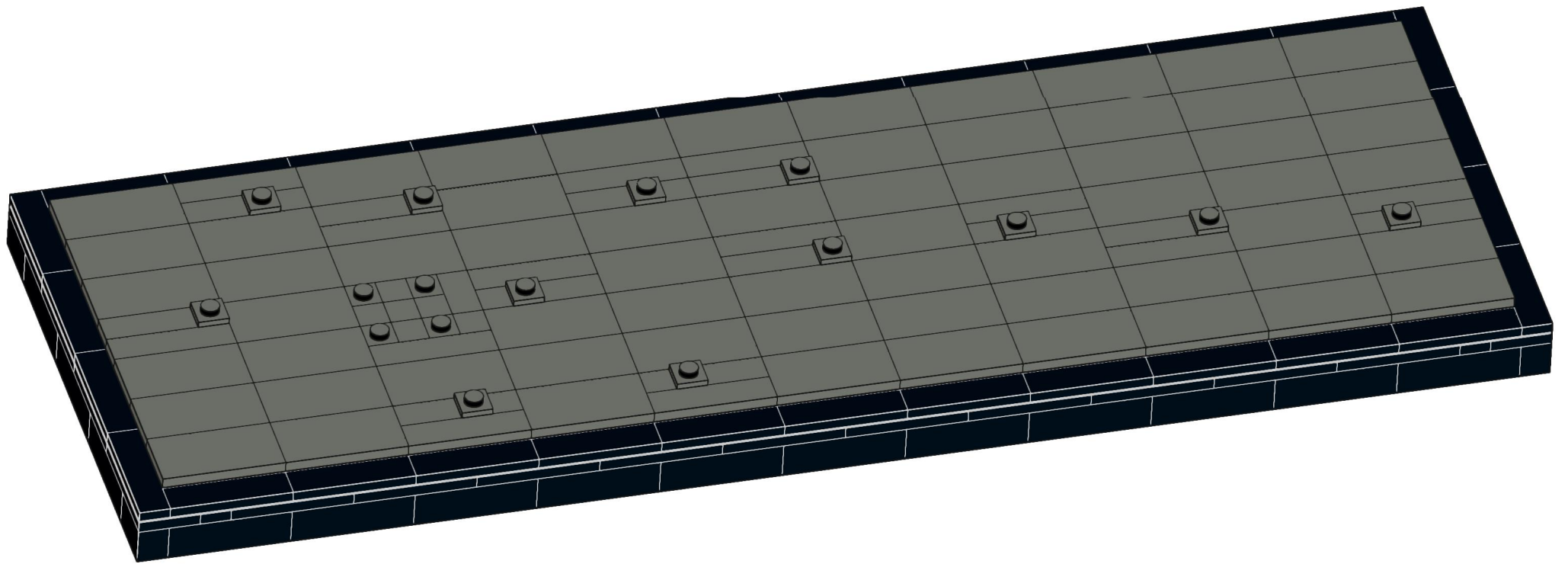
14



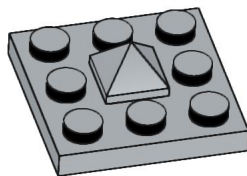
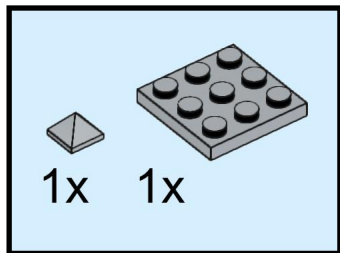
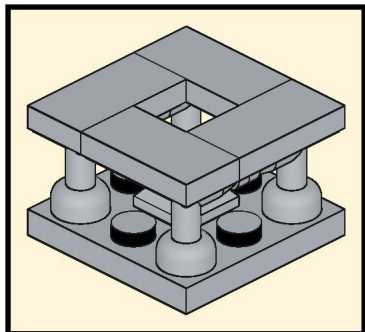
15



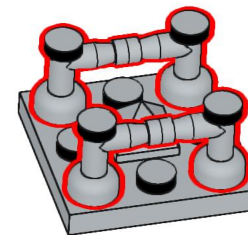
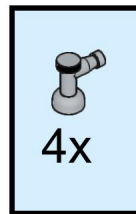
16



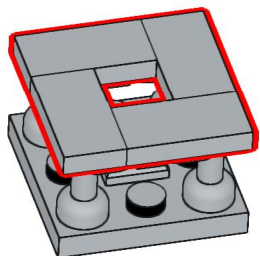
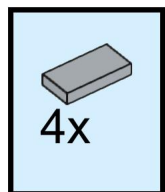
17



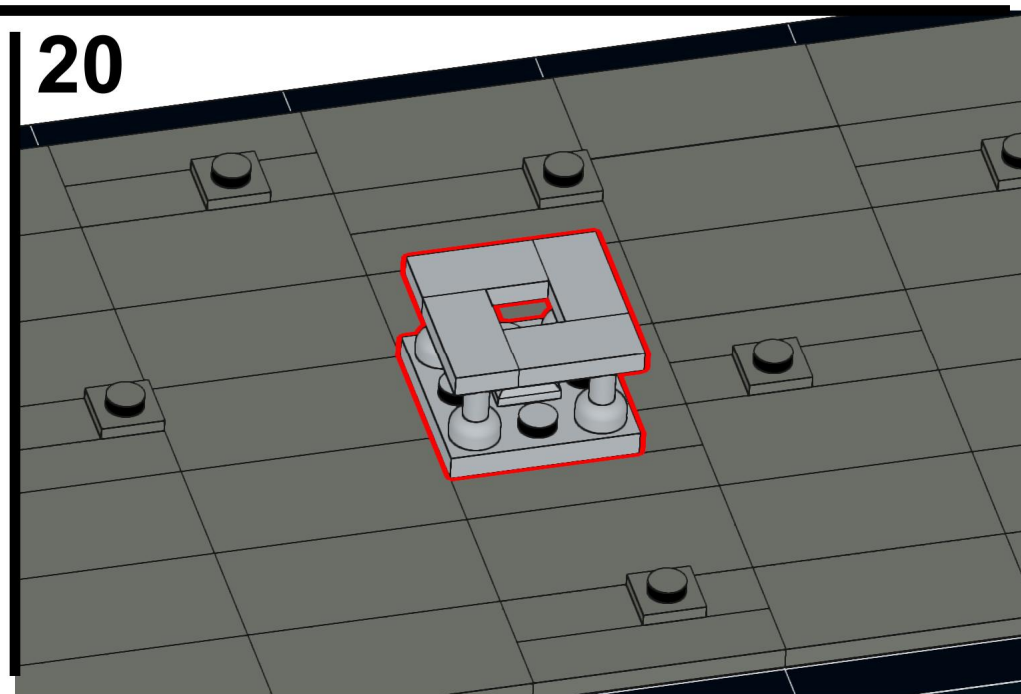
18



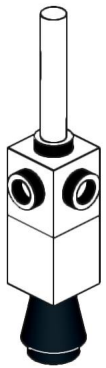
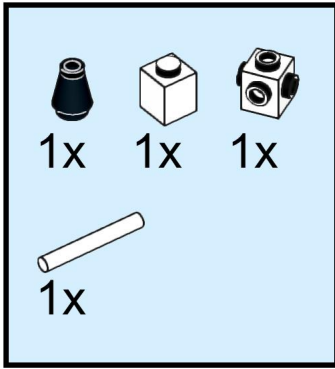
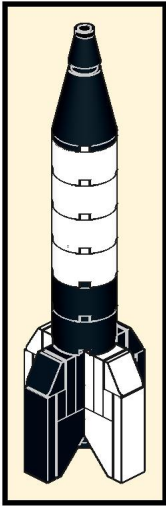
19



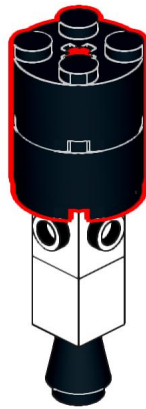
20



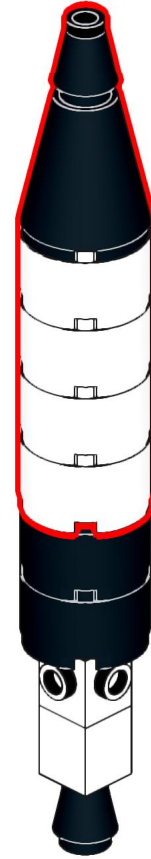
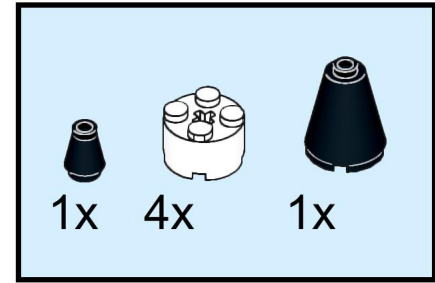
21



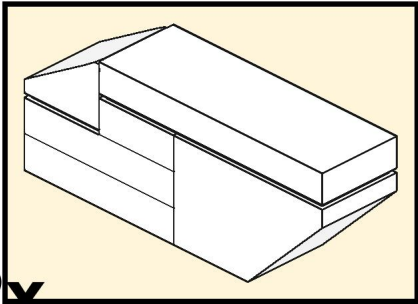
22



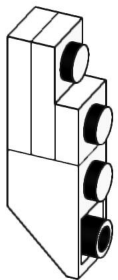
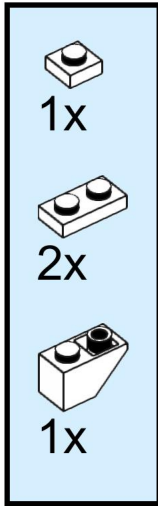
23



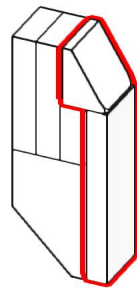
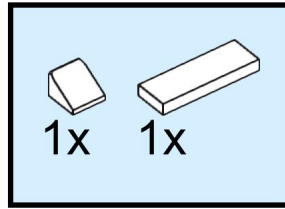
24



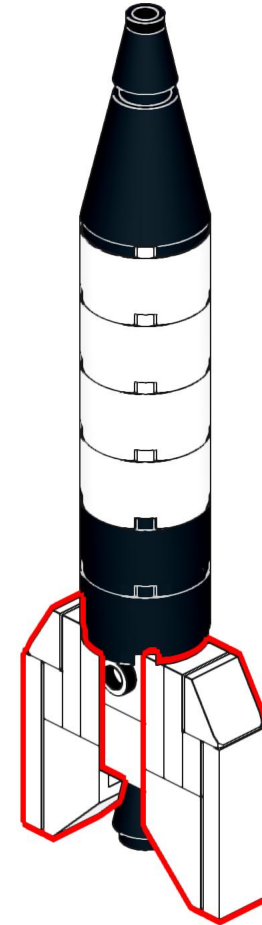
2x



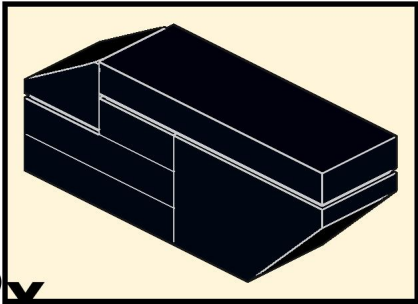
25



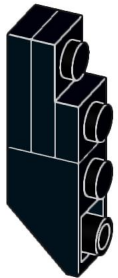
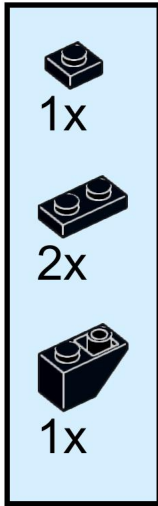
26



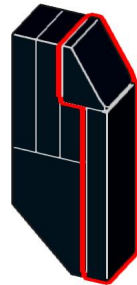
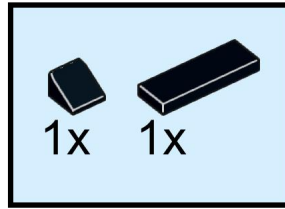
27



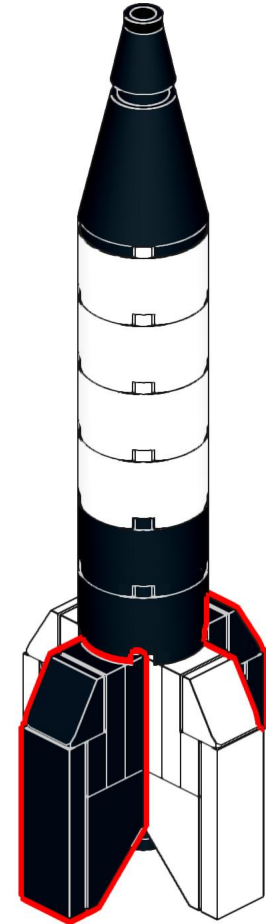
2x



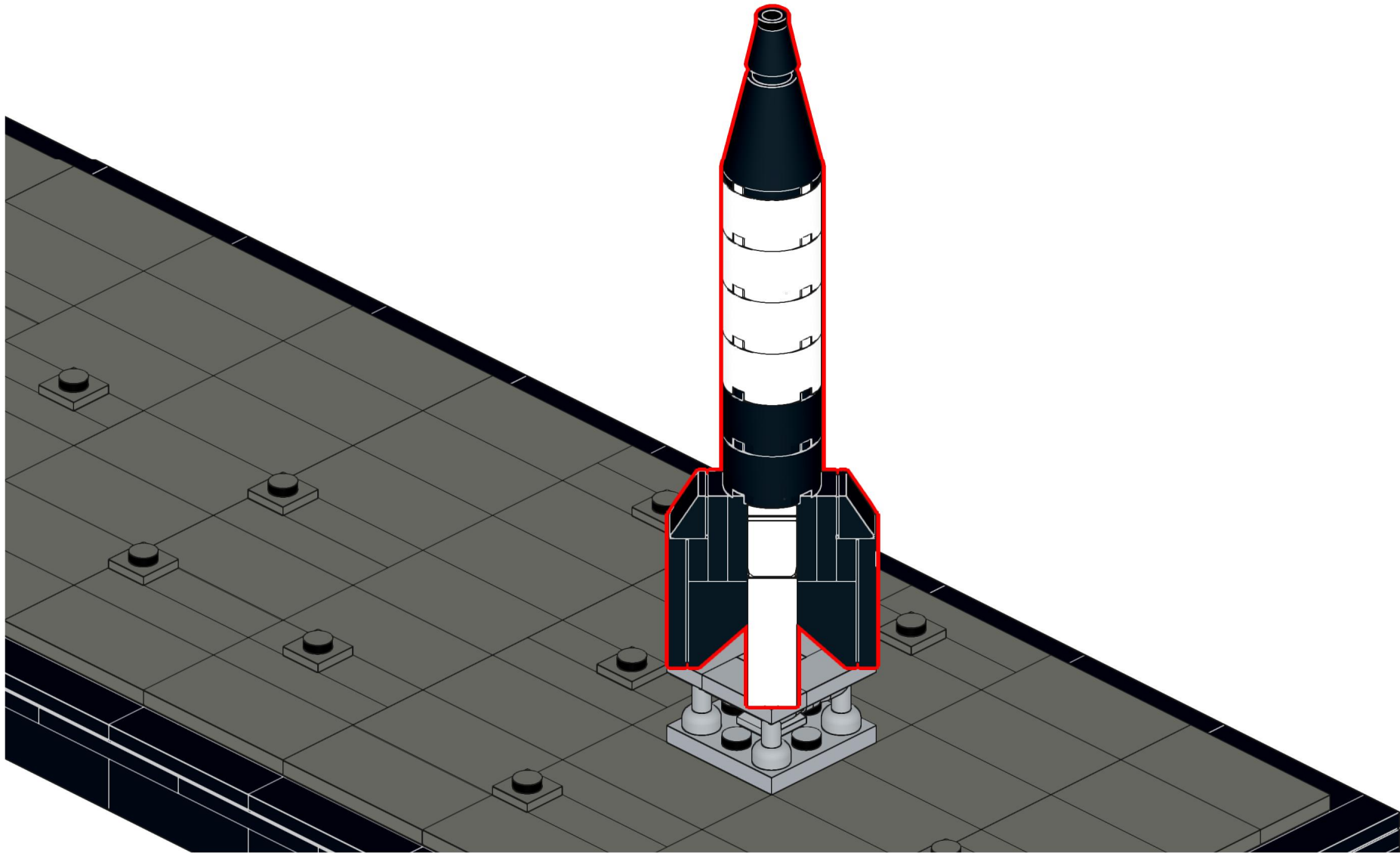
28



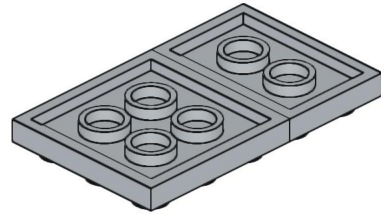
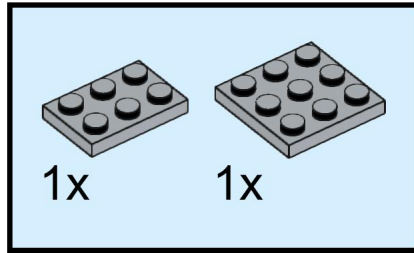
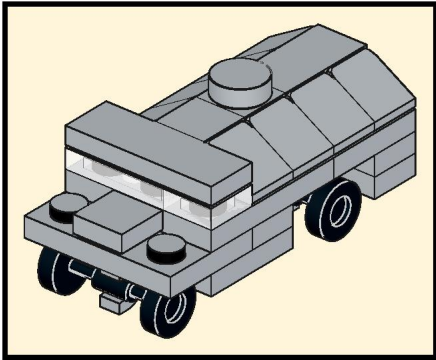
29



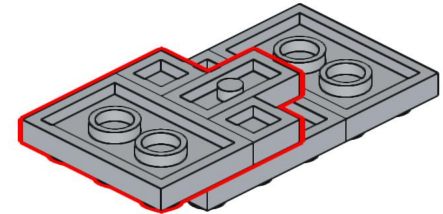
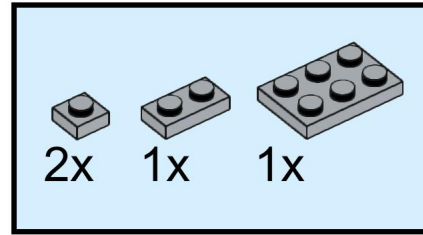
30



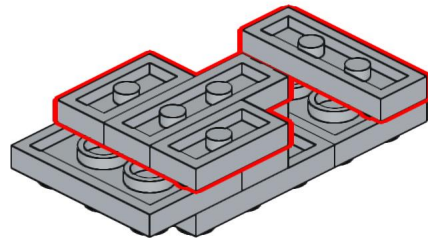
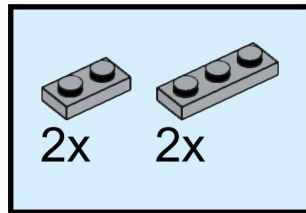
31



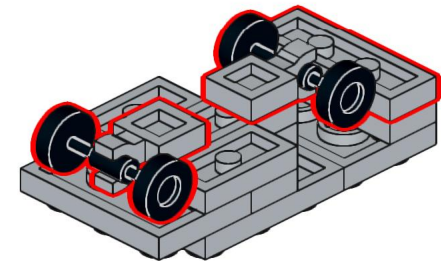
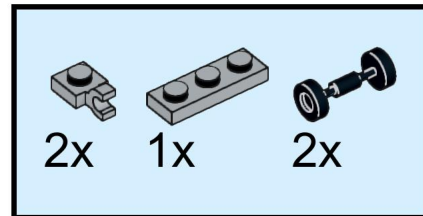
32



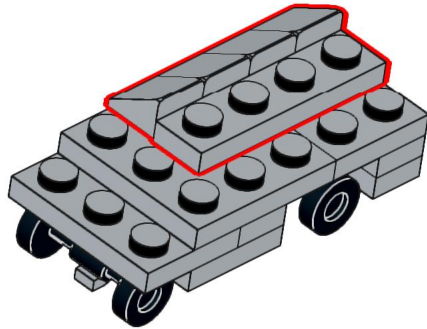
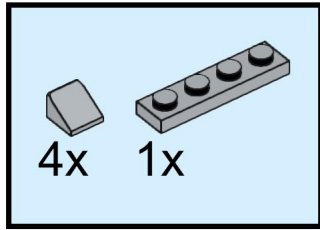
33



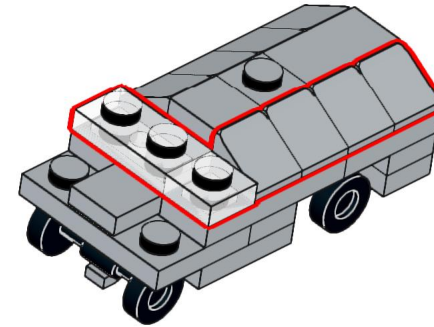
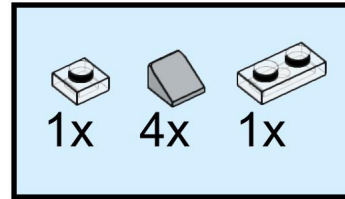
34



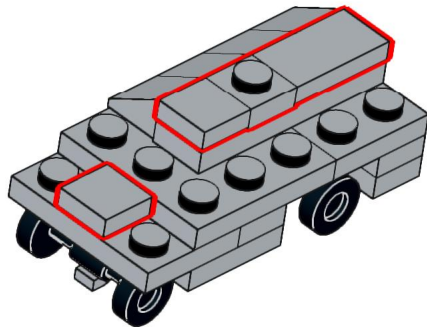
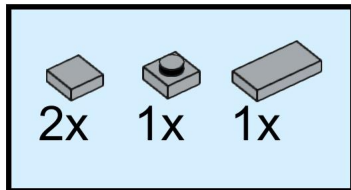
35



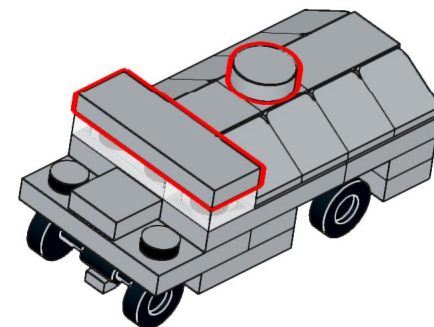
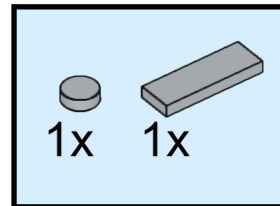
37



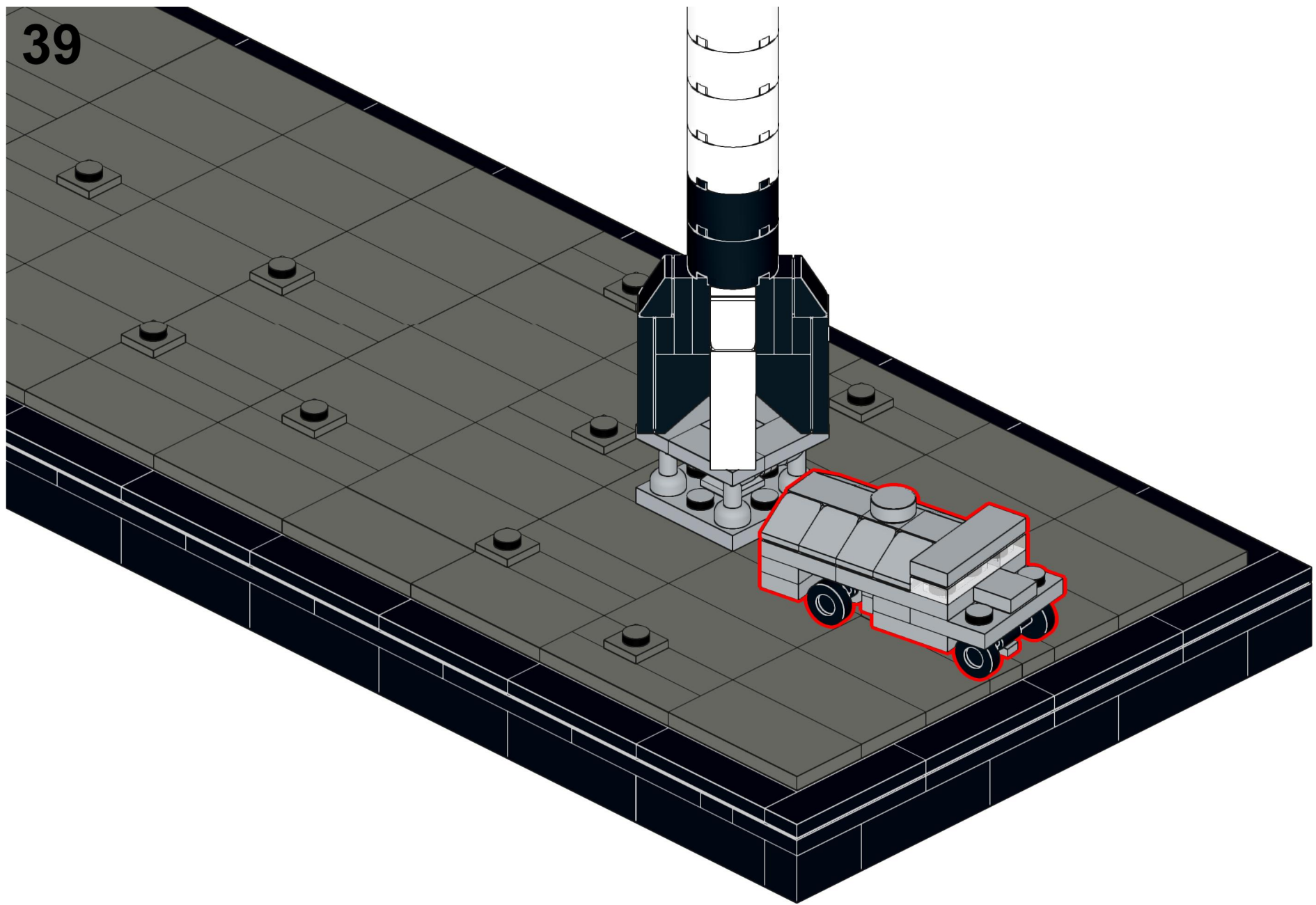
36



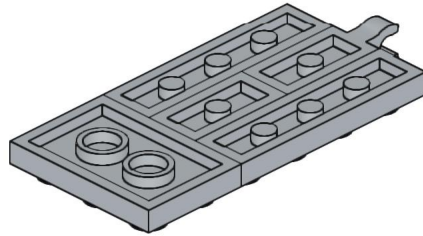
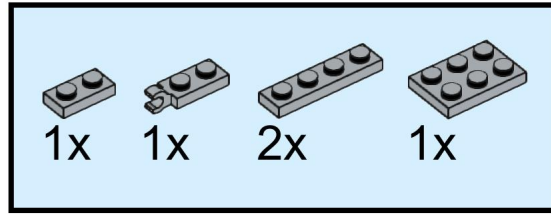
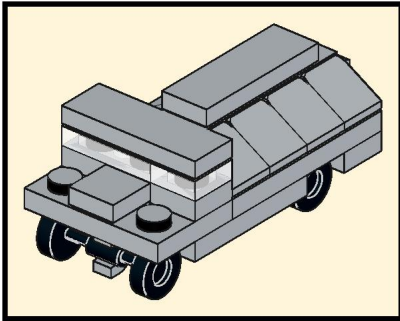
38



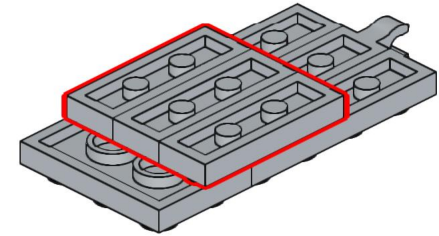
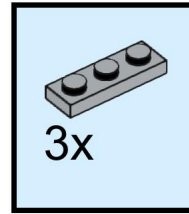
39



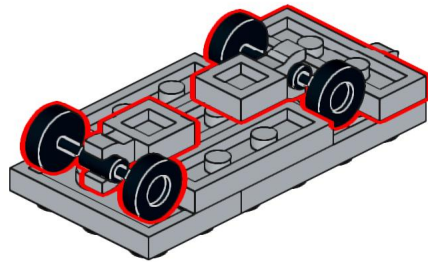
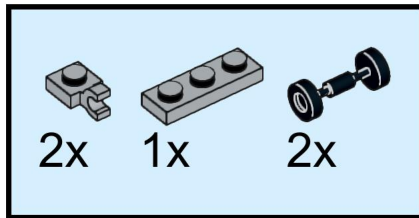
40



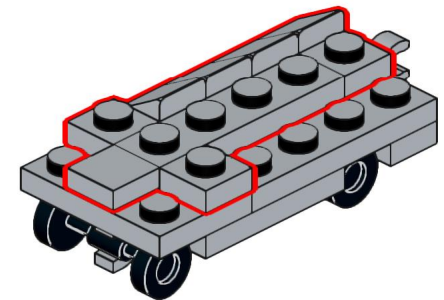
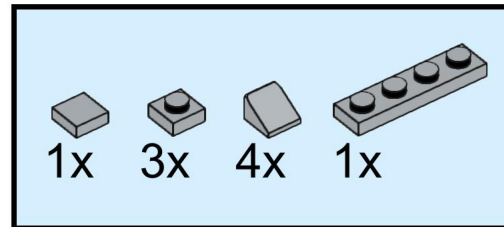
41



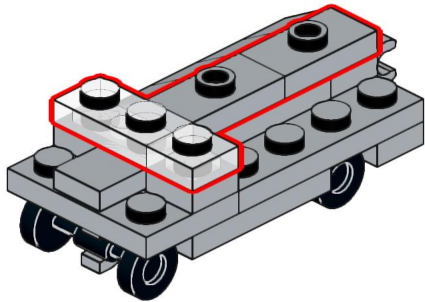
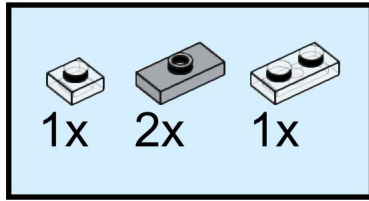
42



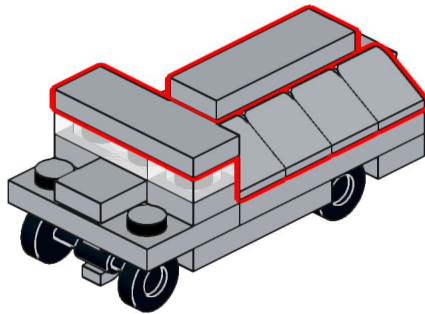
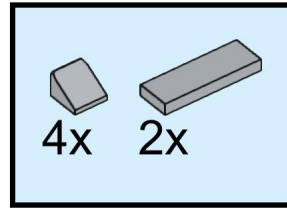
43



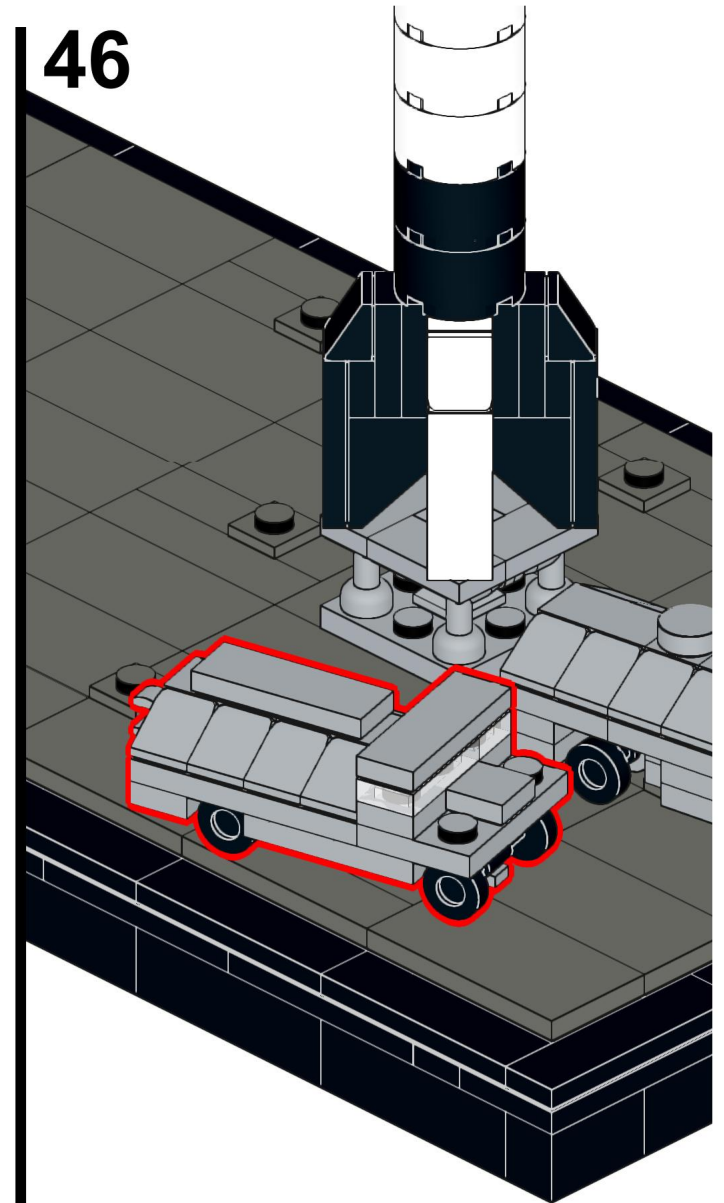
44



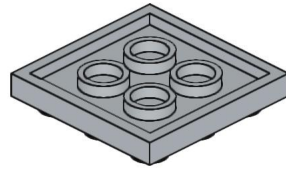
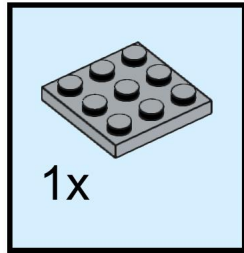
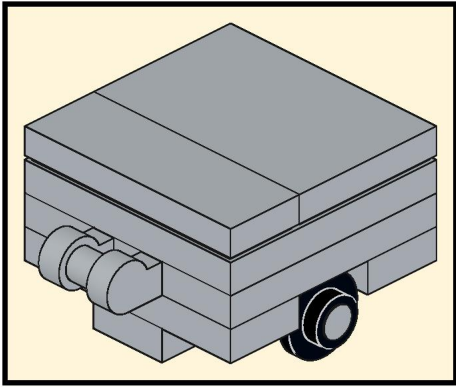
45



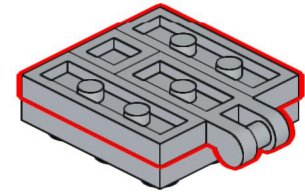
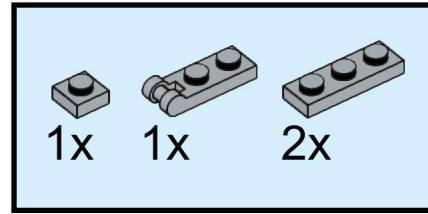
46



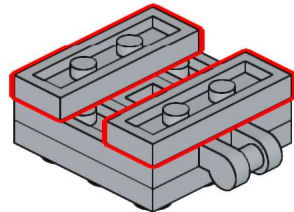
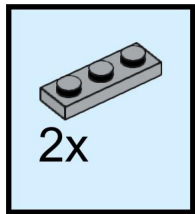
47



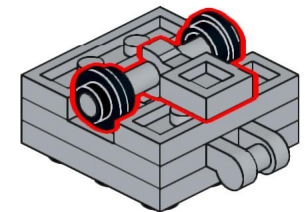
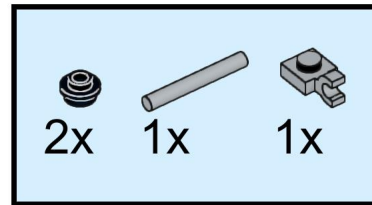
48



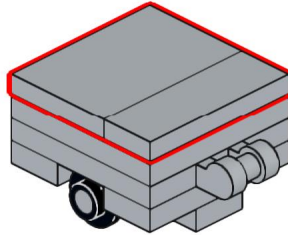
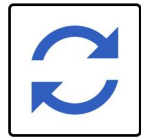
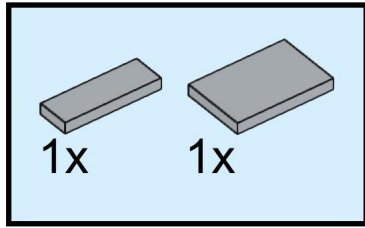
49



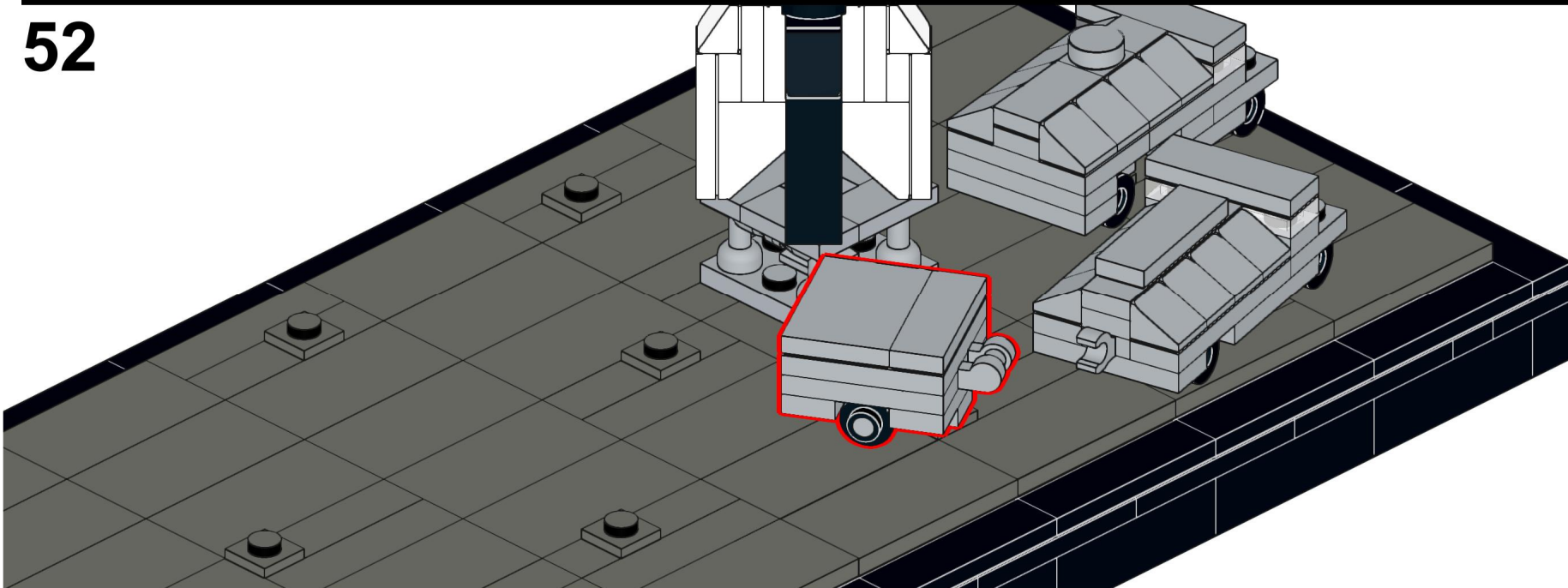
50



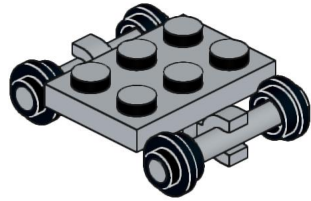
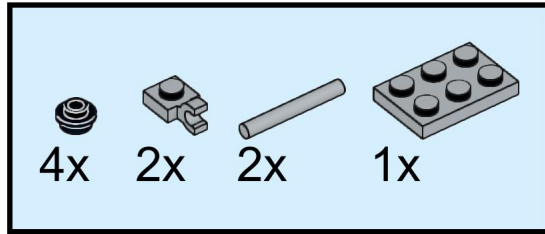
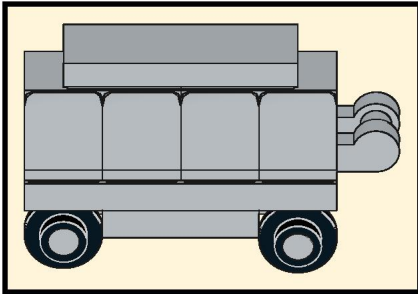
51



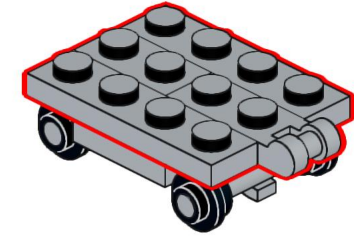
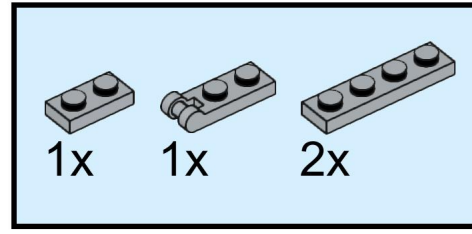
52



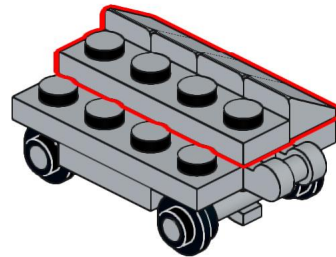
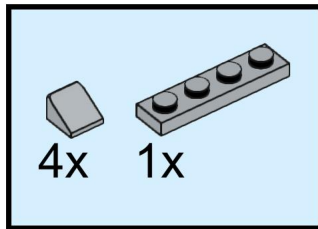
53



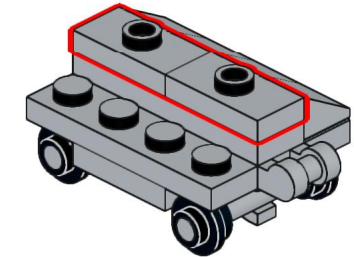
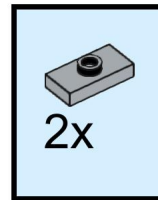
54



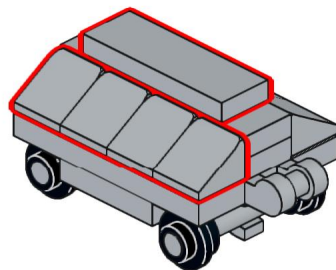
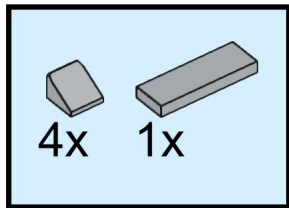
55



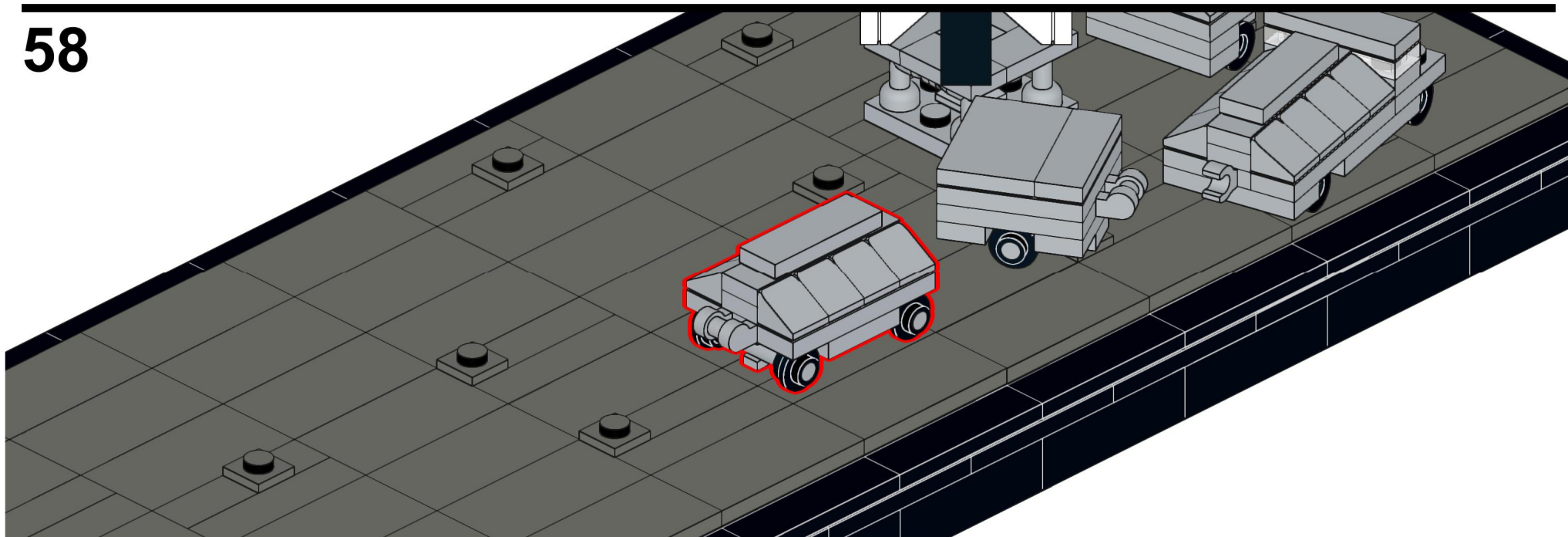
56



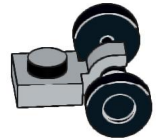
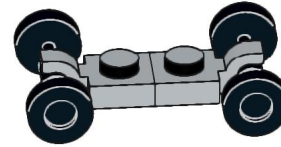
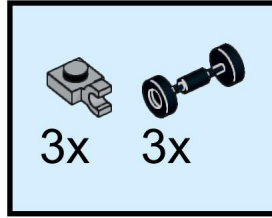
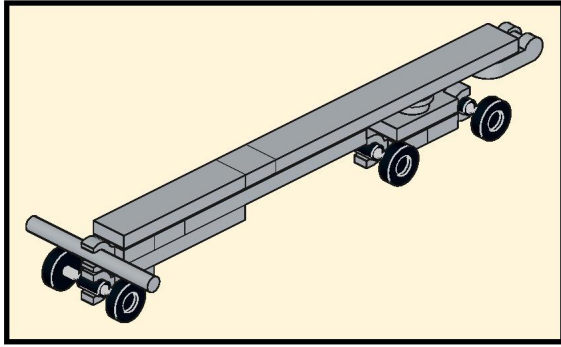
57



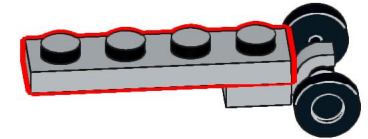
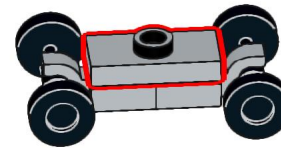
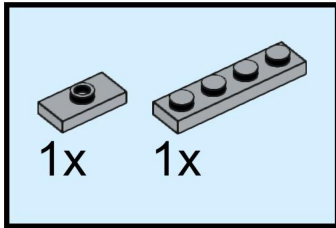
58



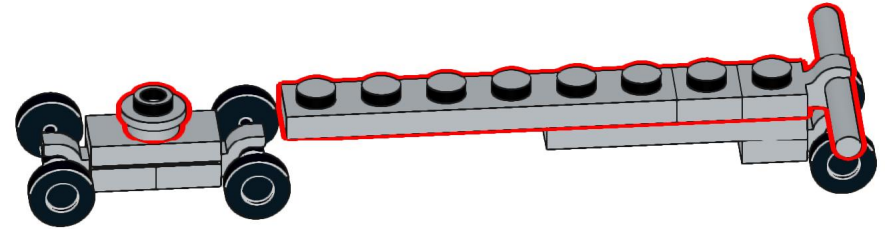
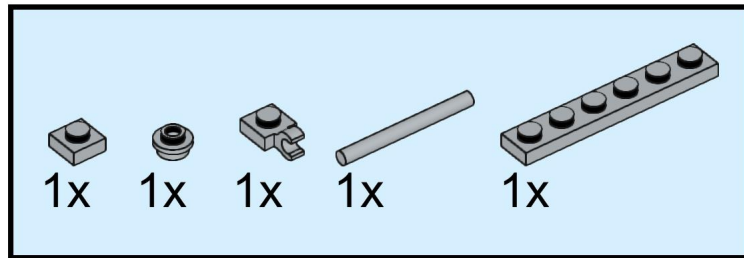
59



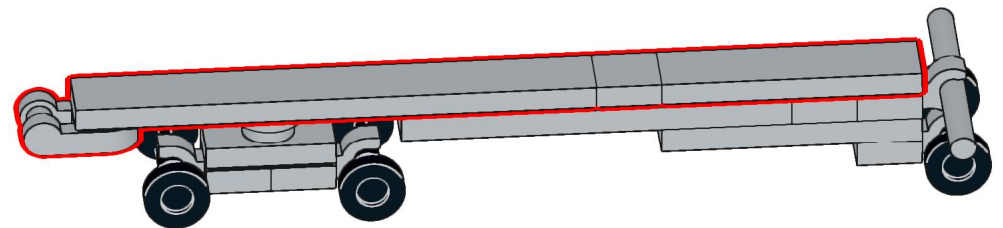
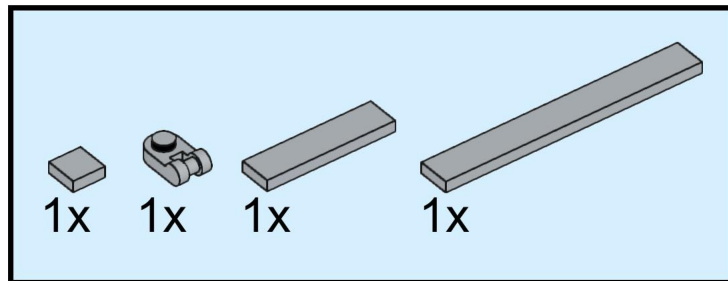
60



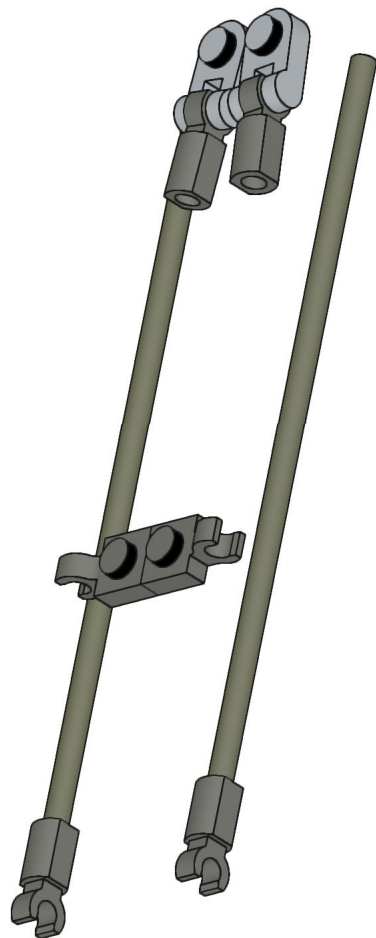
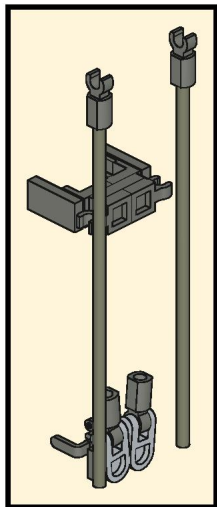
61



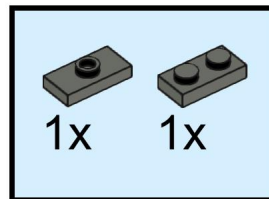
62



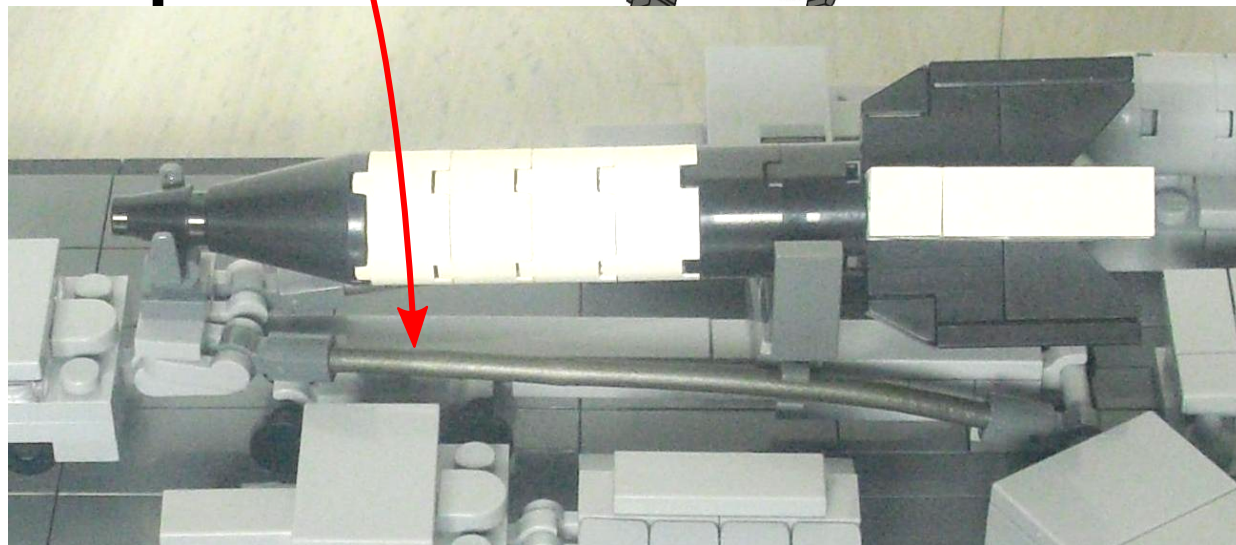
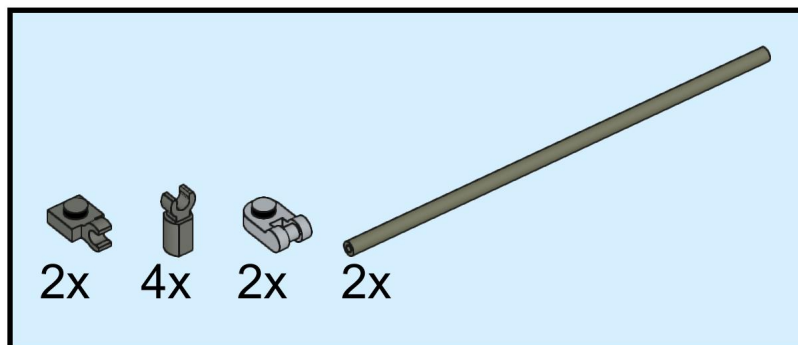
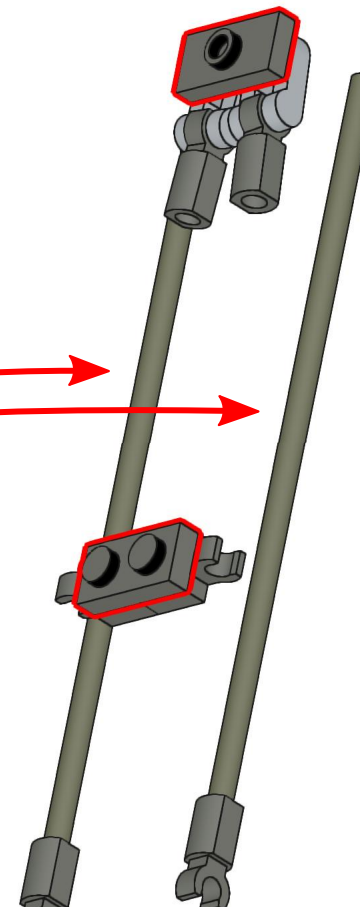
63



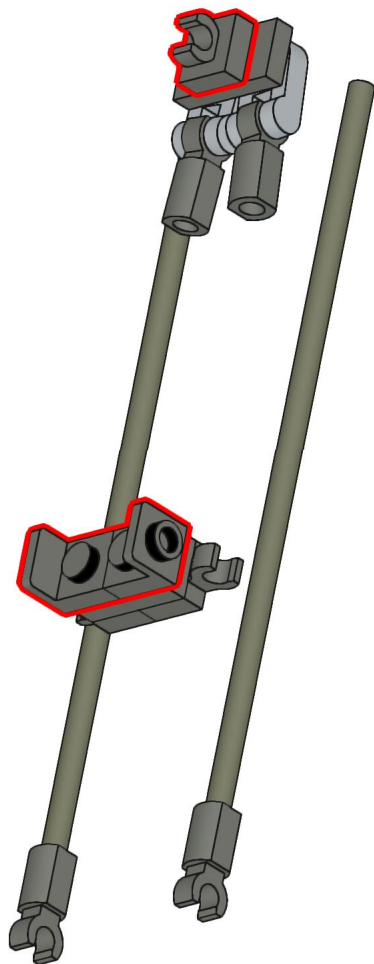
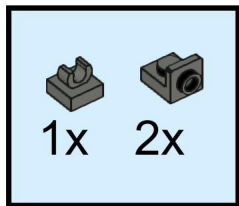
64



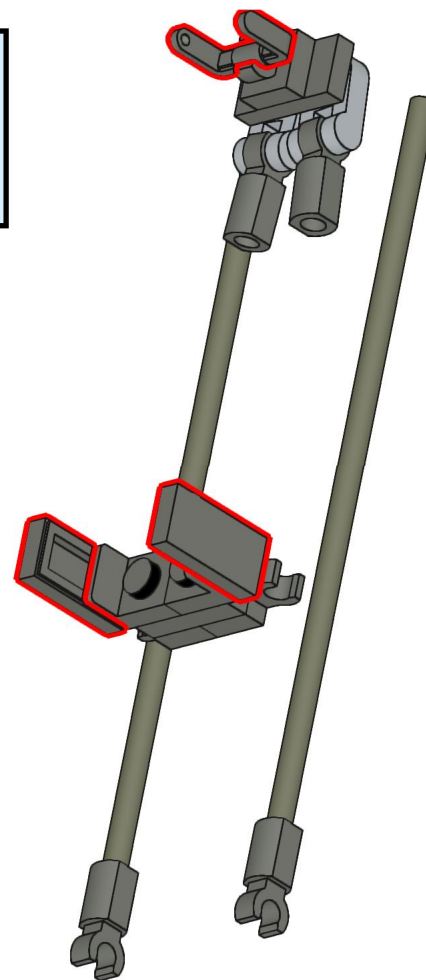
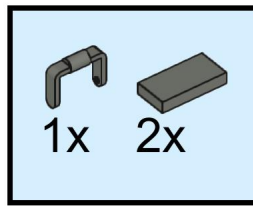
Cut and bend hoses to the shape as shown here



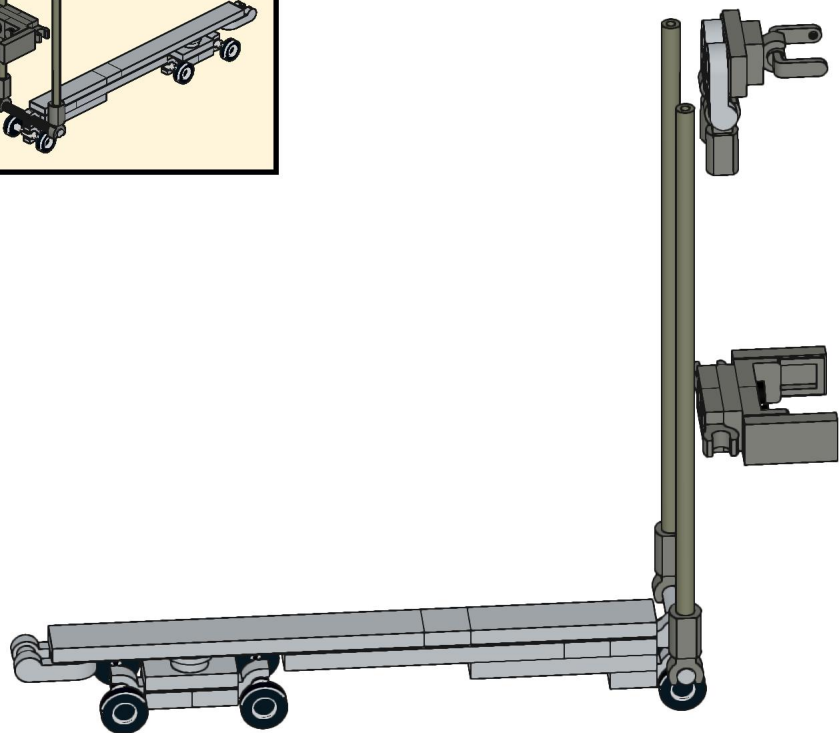
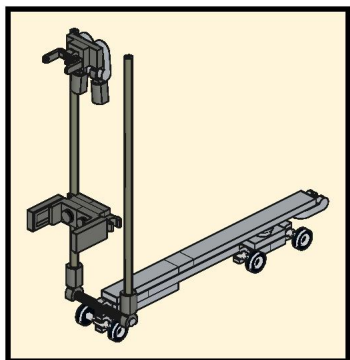
65



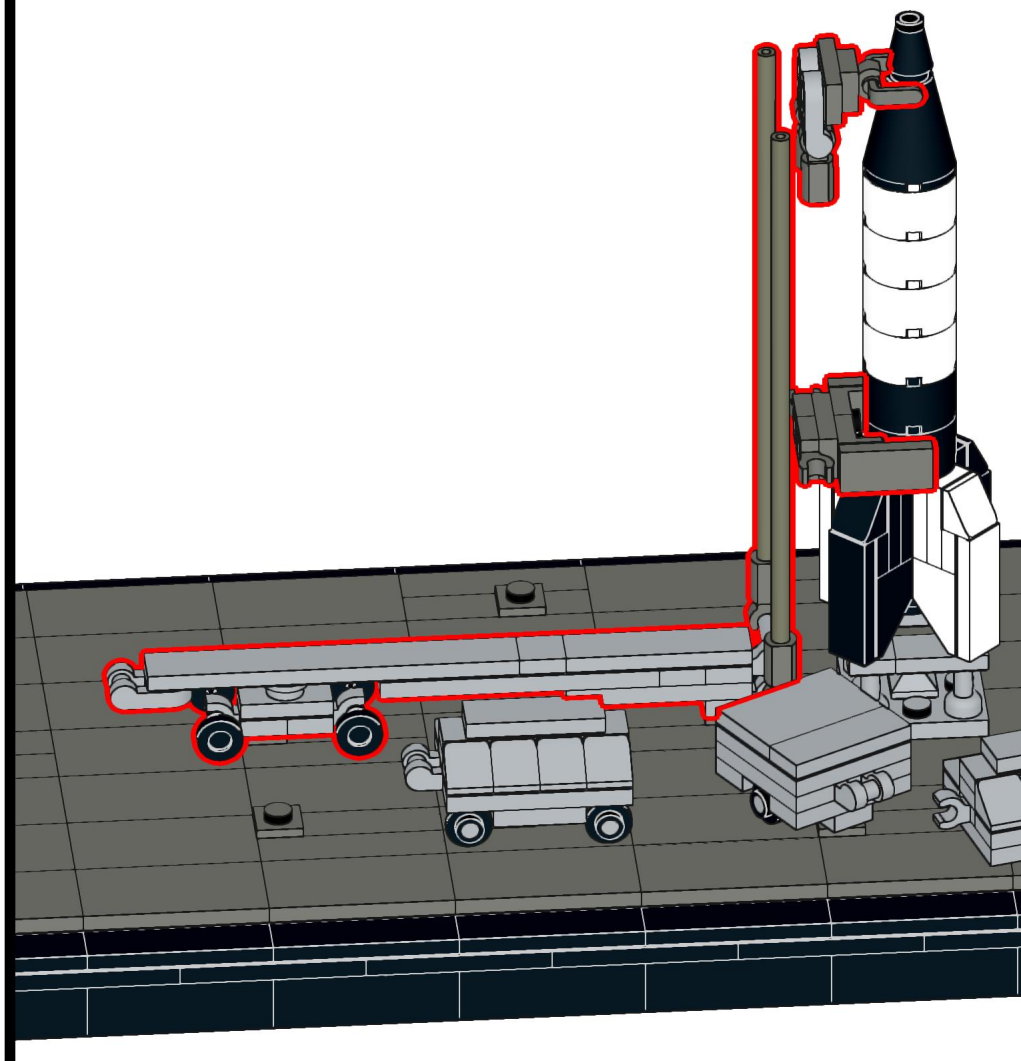
66



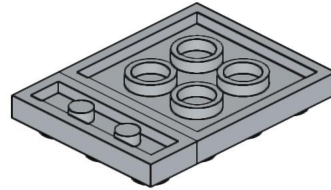
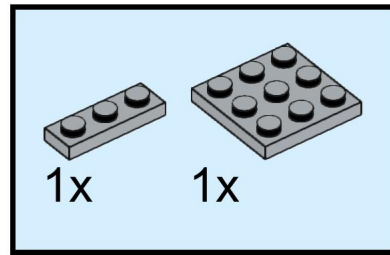
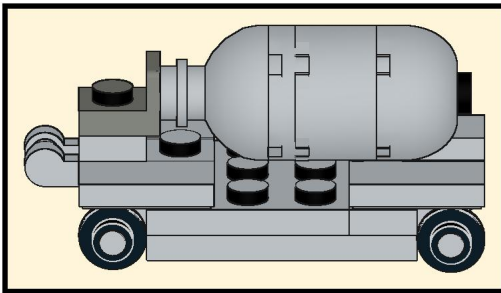
67



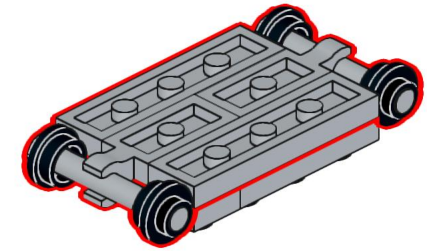
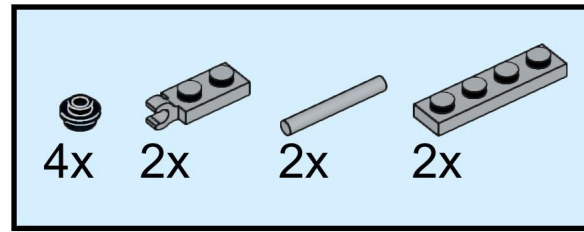
68



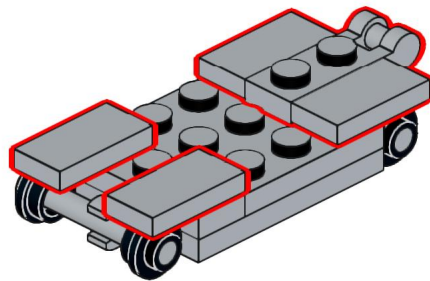
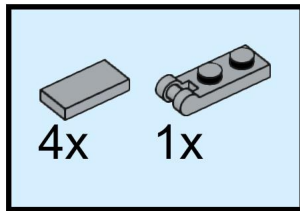
69



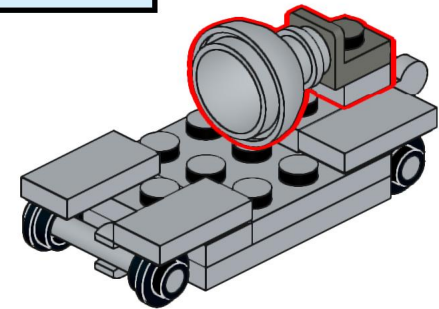
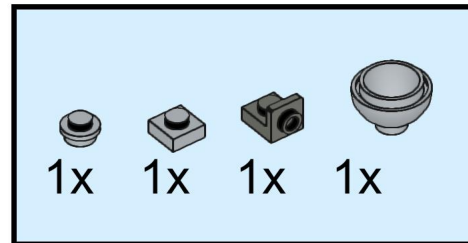
70



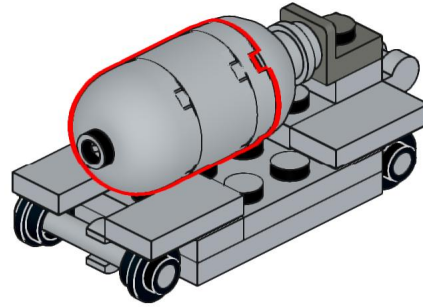
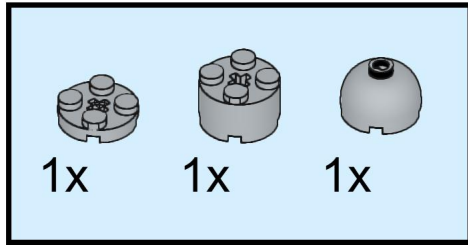
71



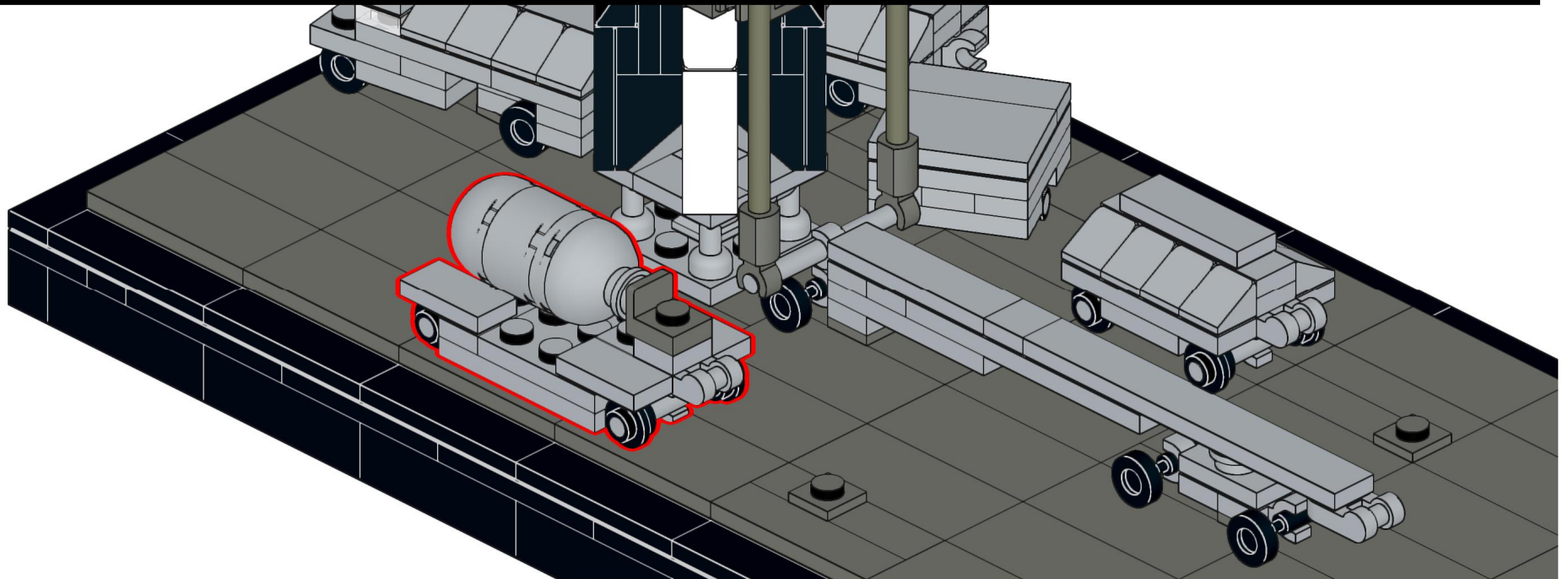
72



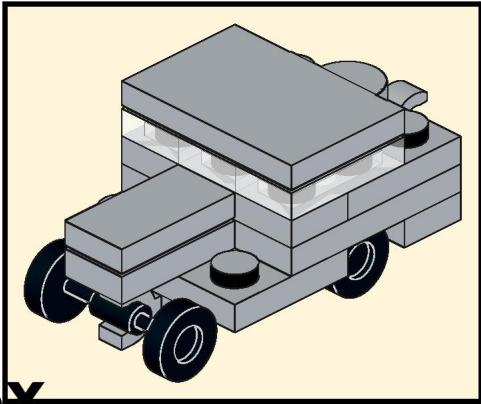
73



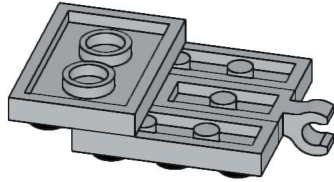
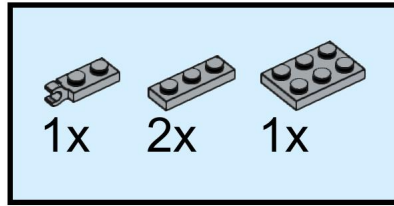
74



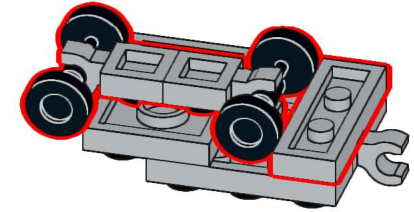
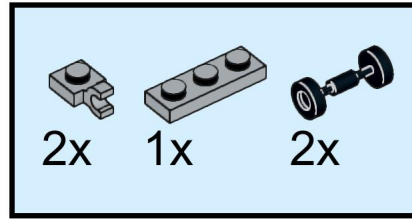
75



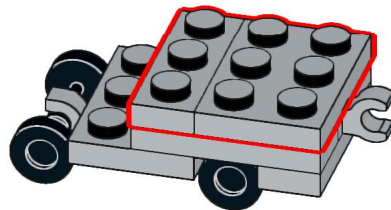
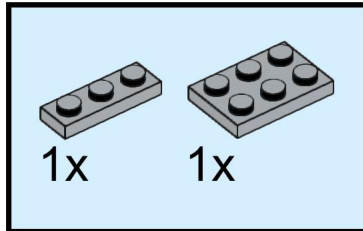
3x



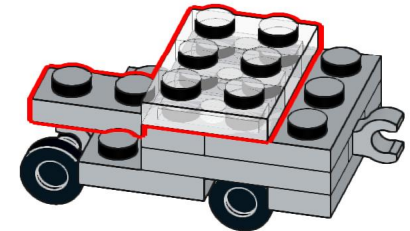
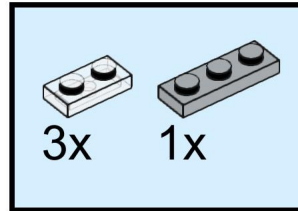
76



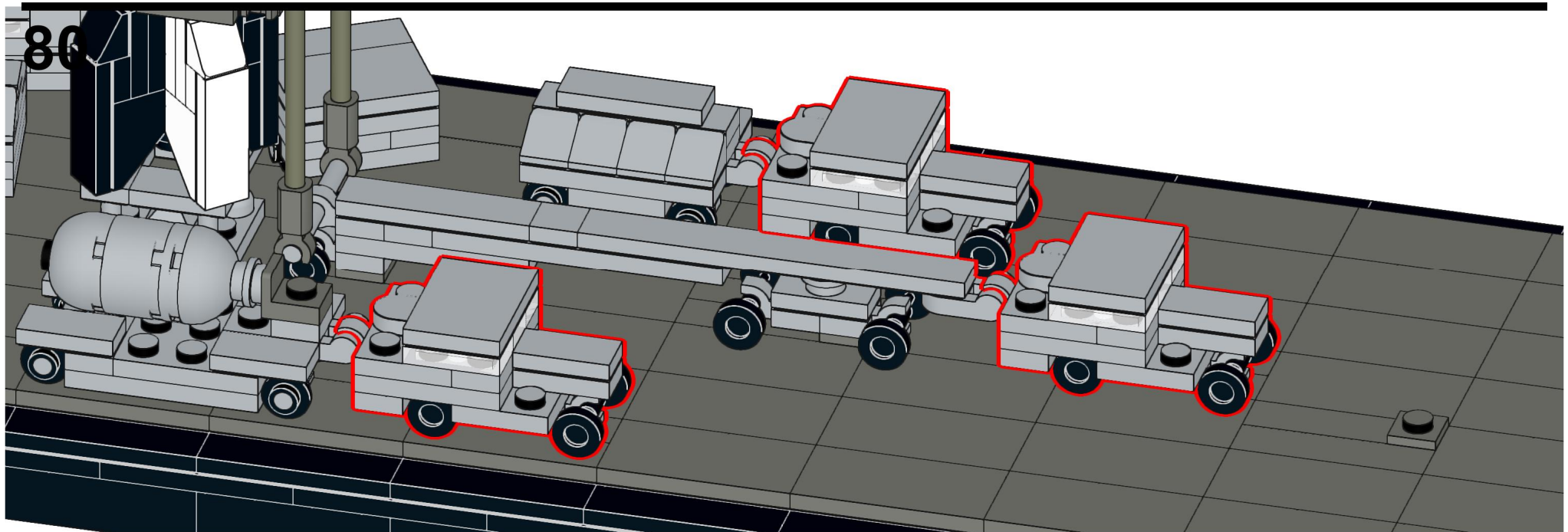
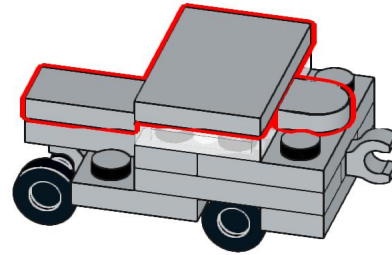
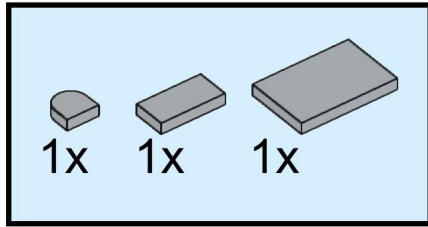
77



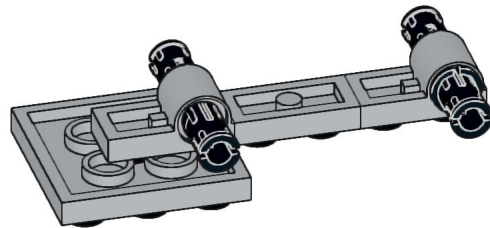
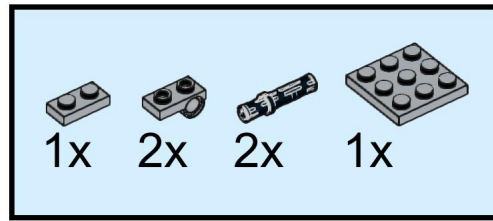
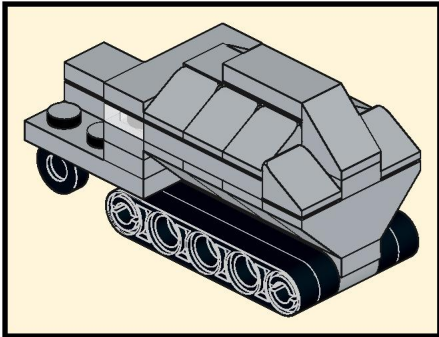
78



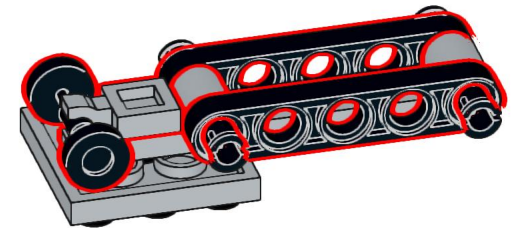
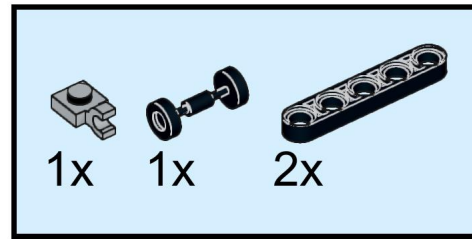
79



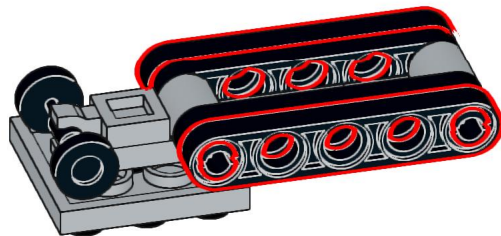
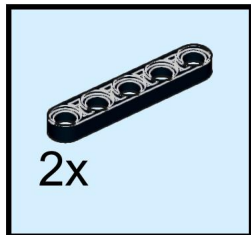
81



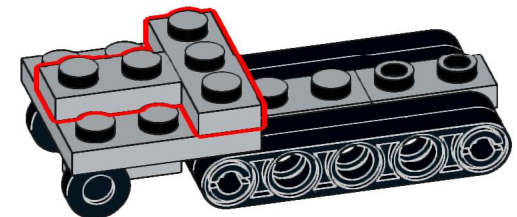
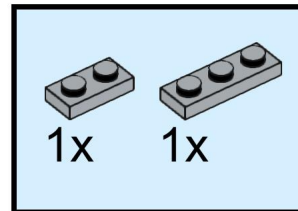
82



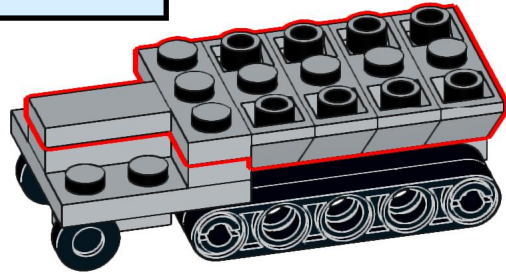
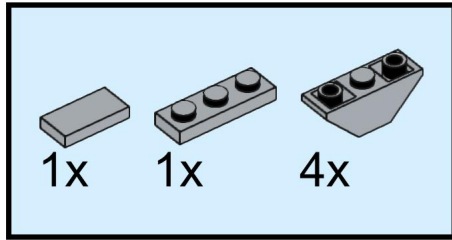
83



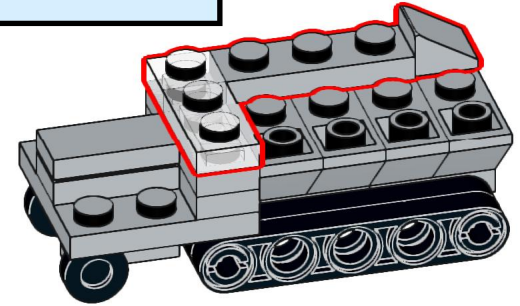
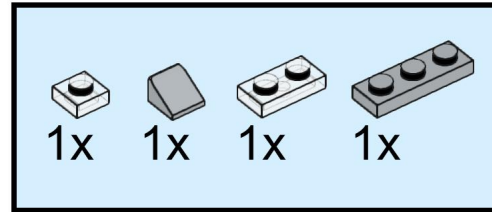
84



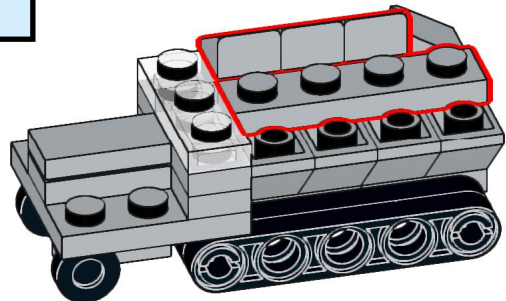
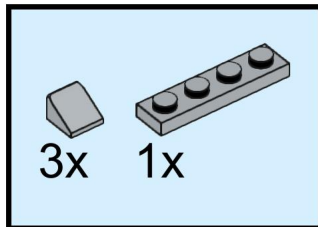
85



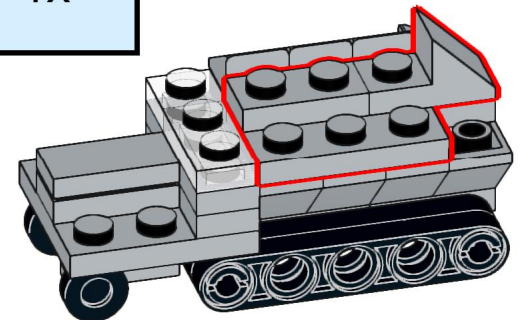
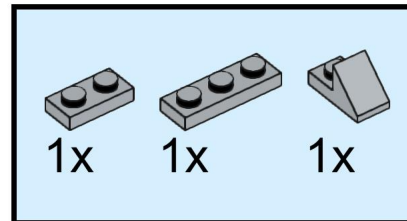
86



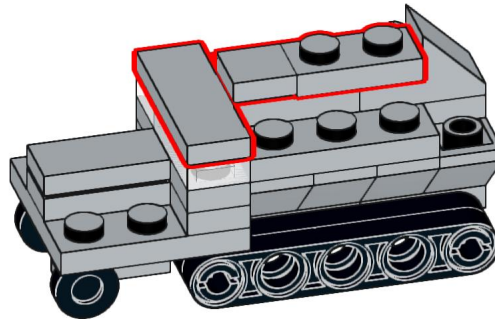
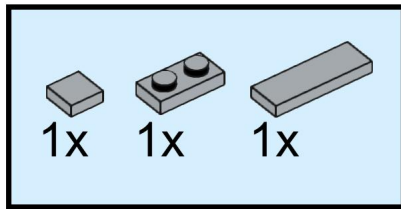
87



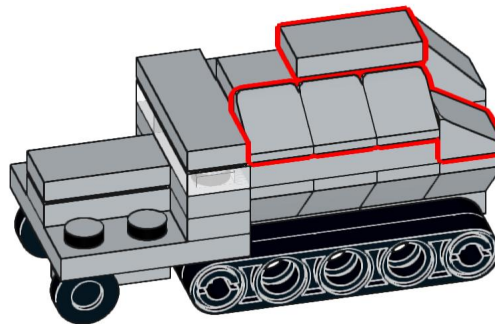
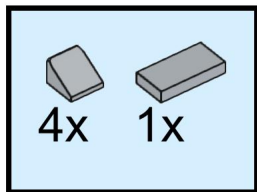
88



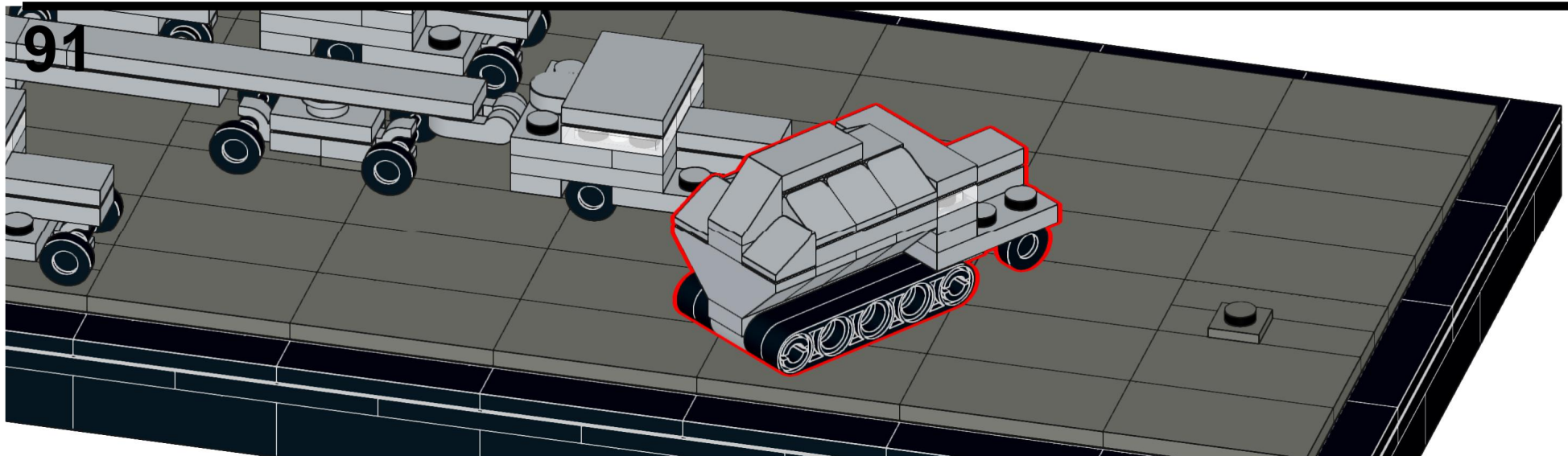
89



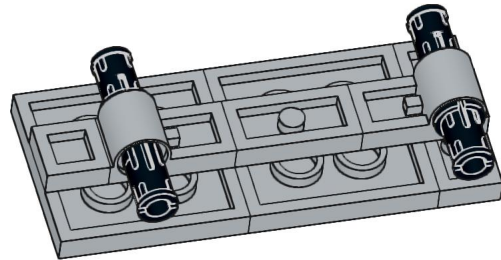
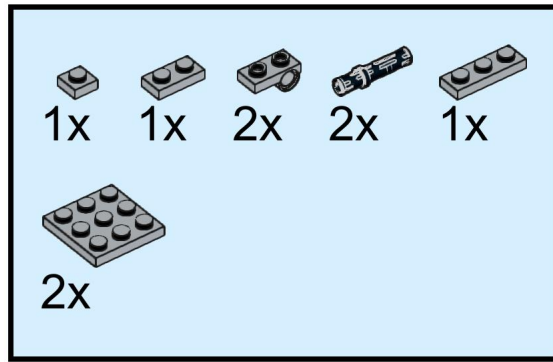
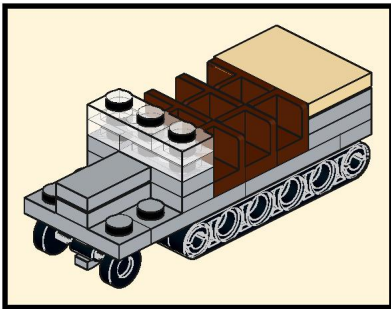
90



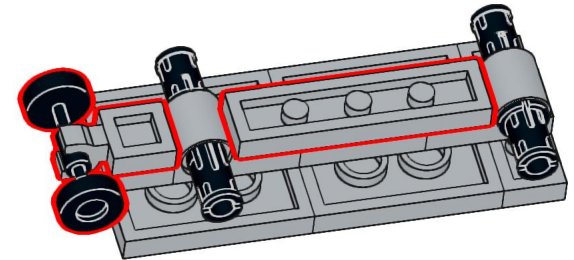
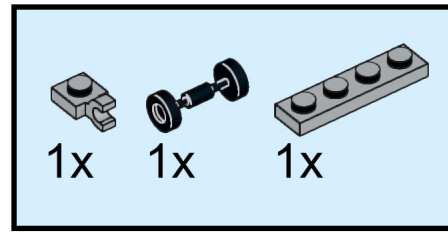
91



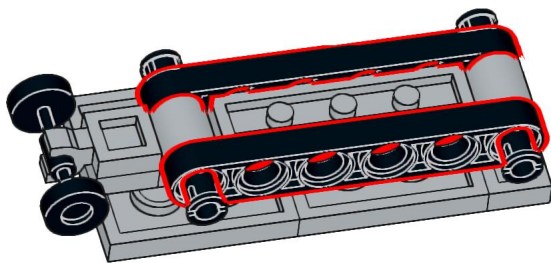
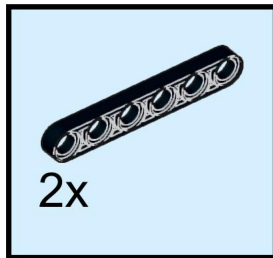
92



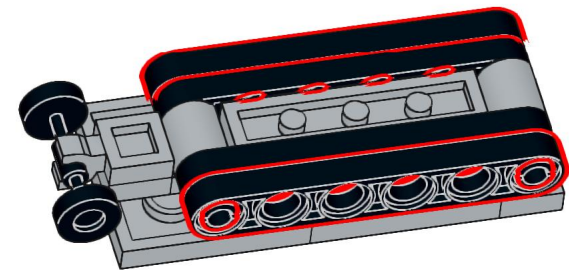
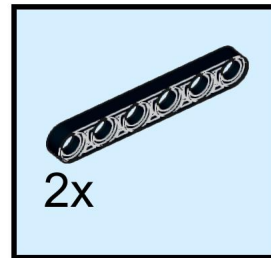
93



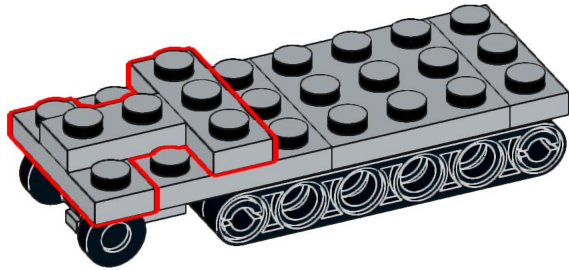
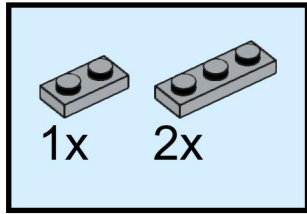
94



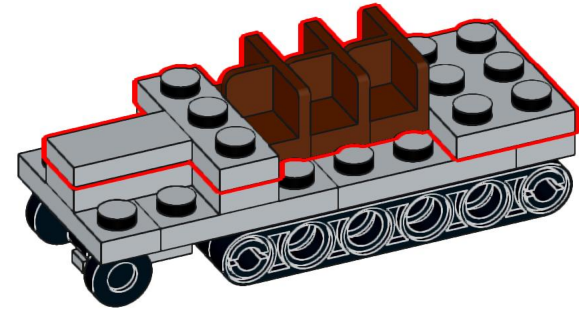
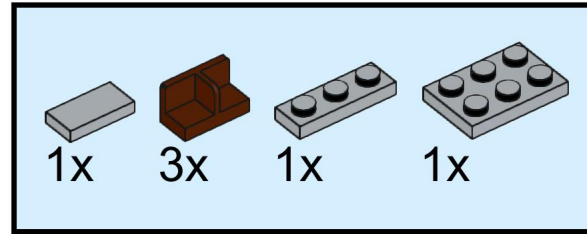
95



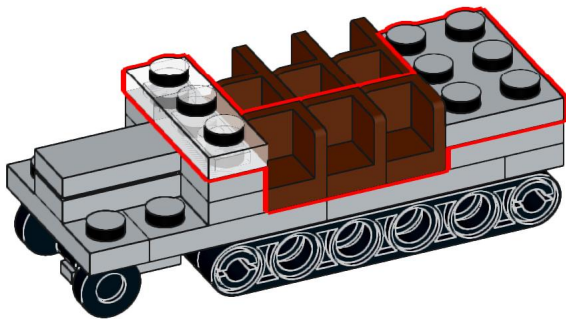
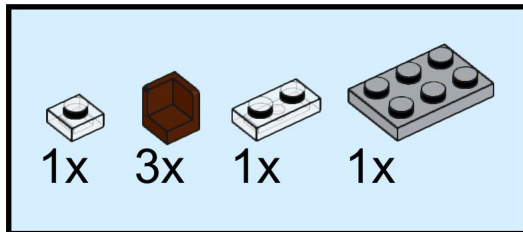
96



97



98



99

