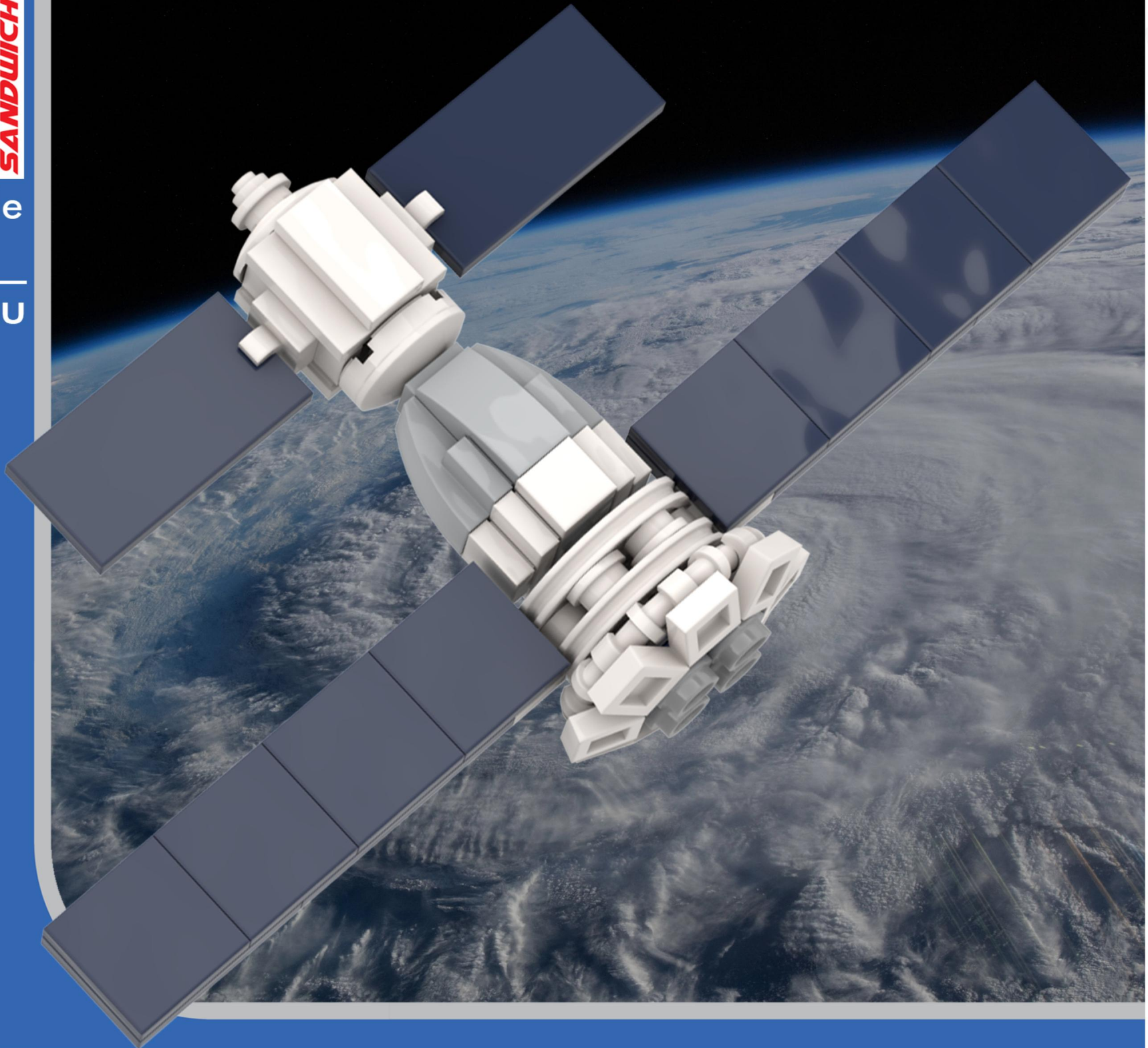


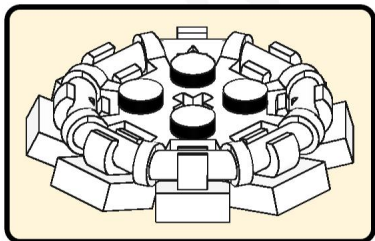
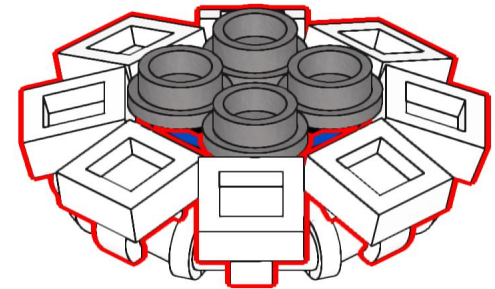
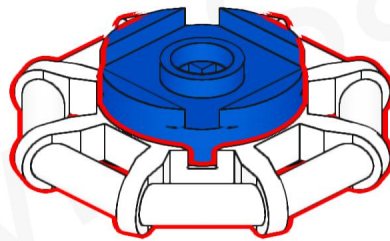
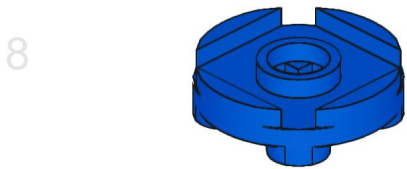
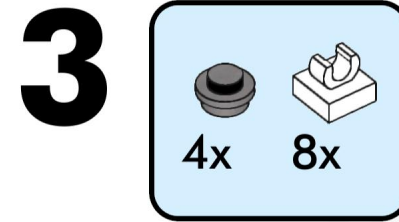
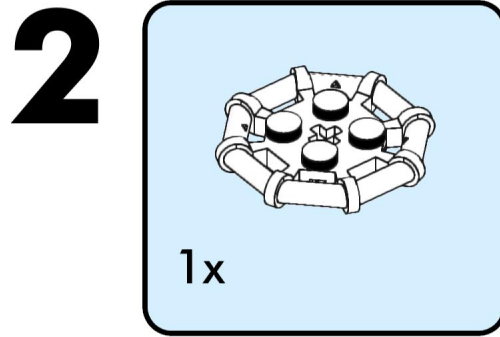
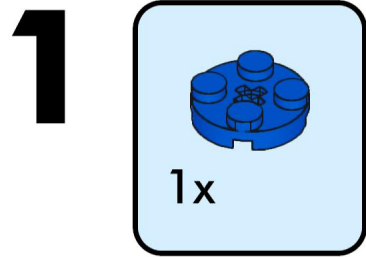


**MUSCOVITE
SANDWICH**

1:110 scale
79 pcs

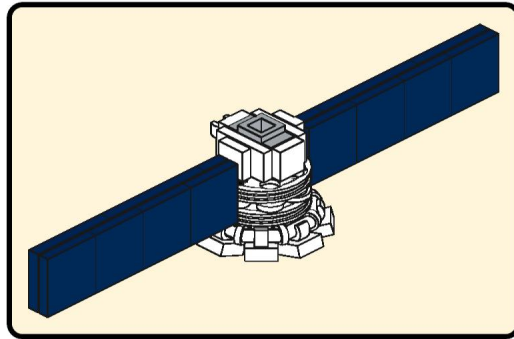
Shenzhou



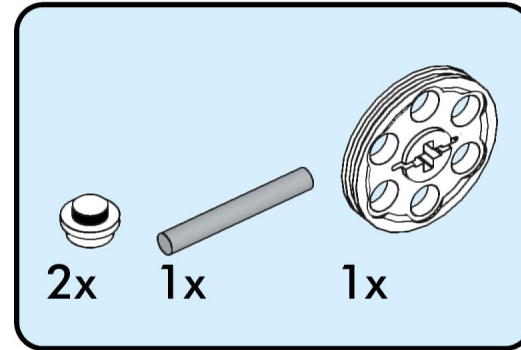


6

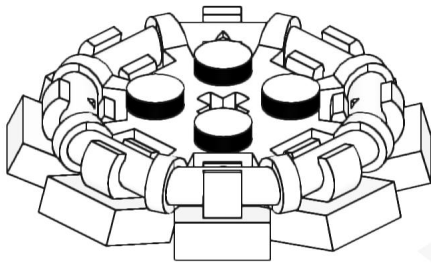
4



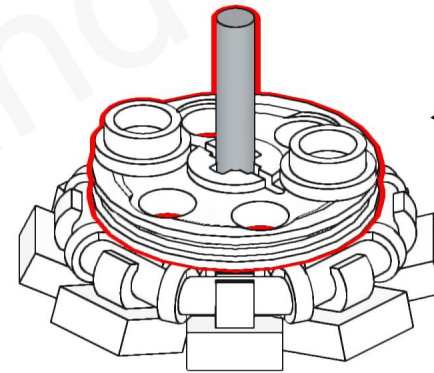
5



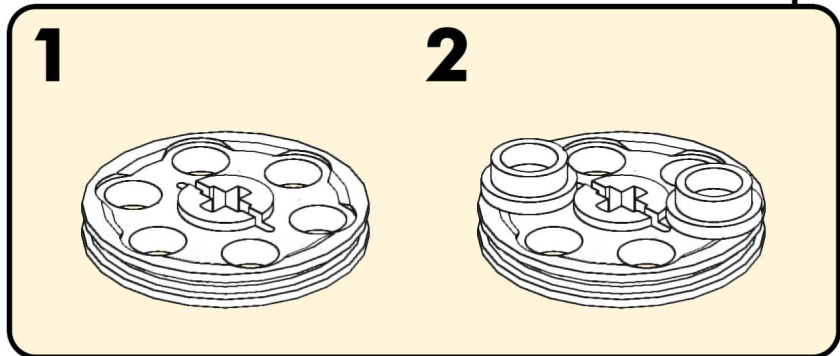
8



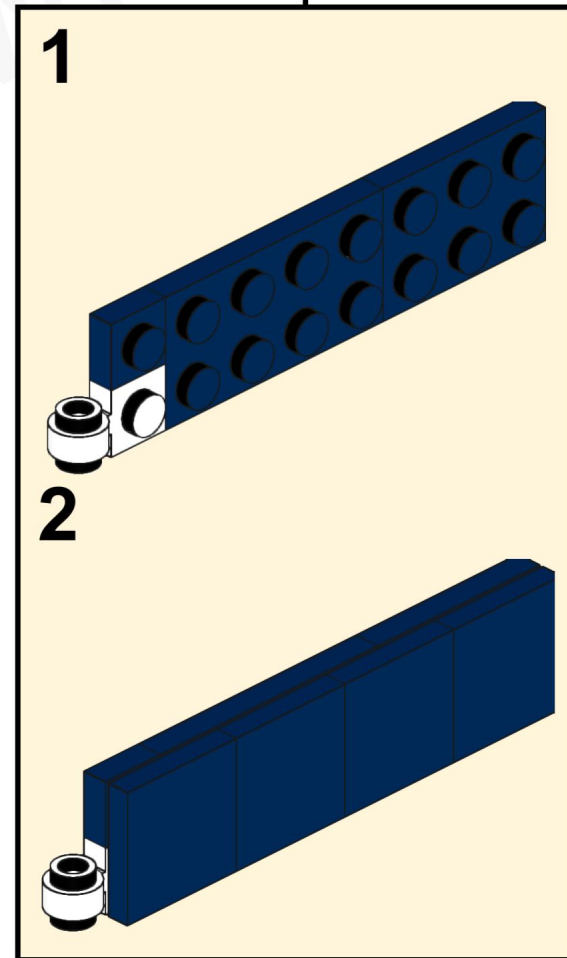
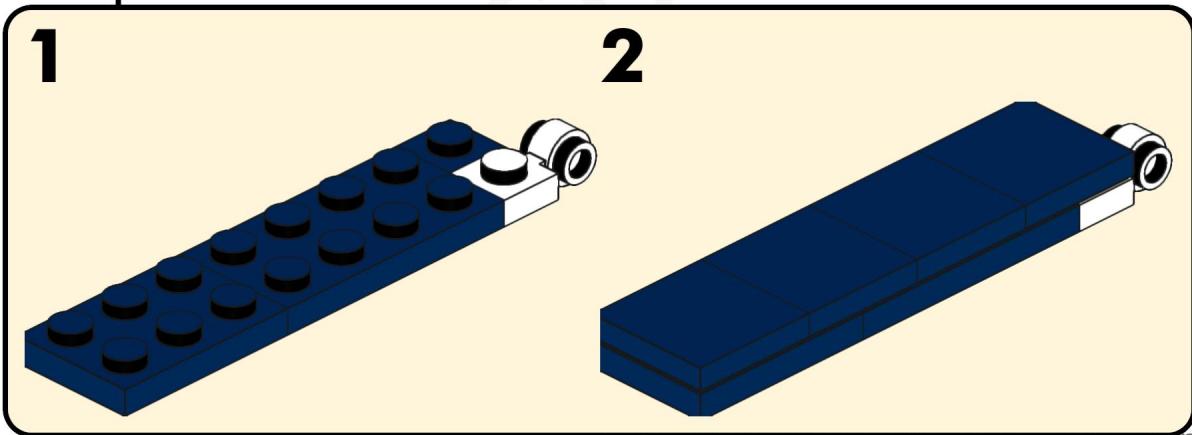
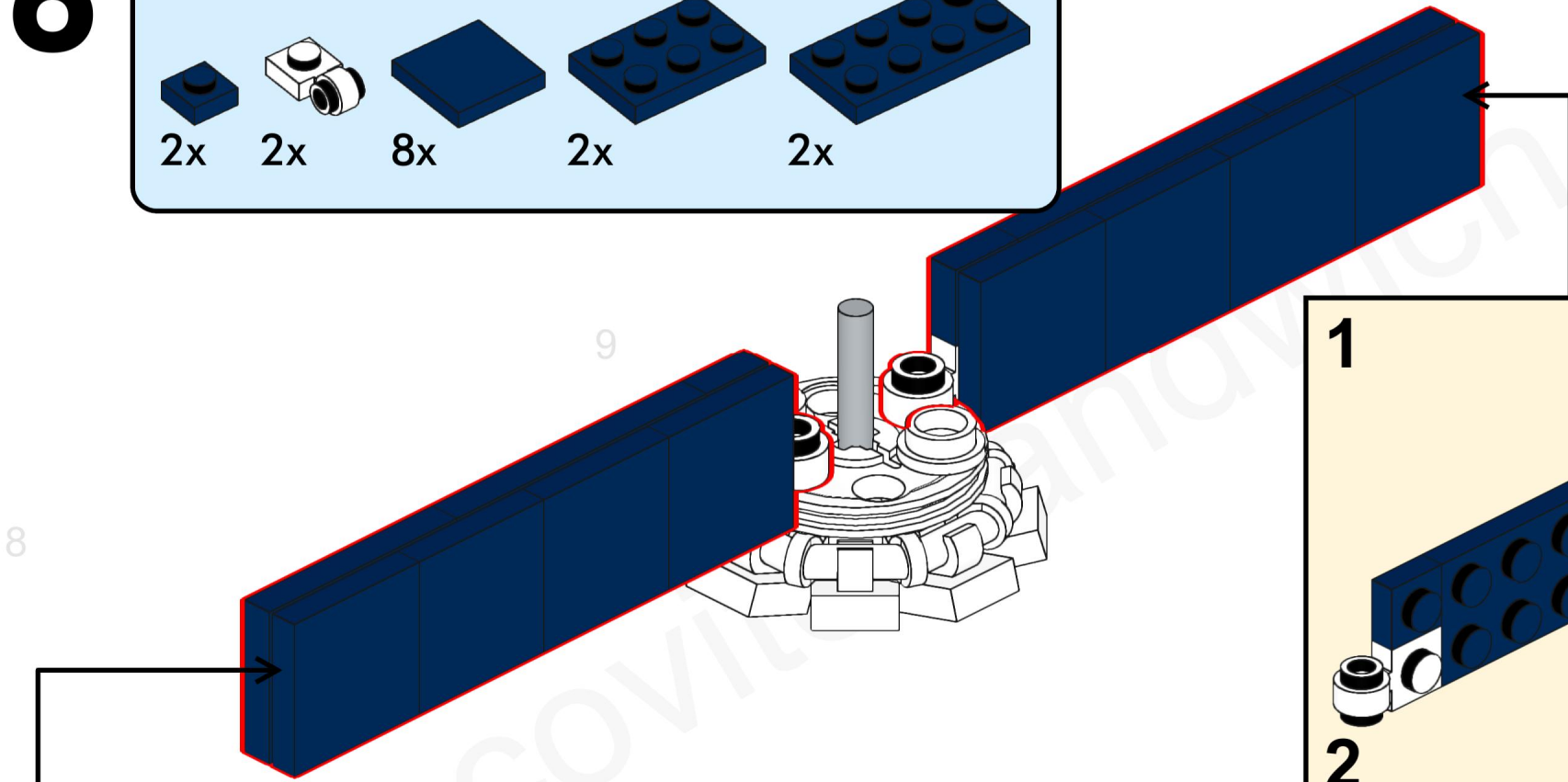
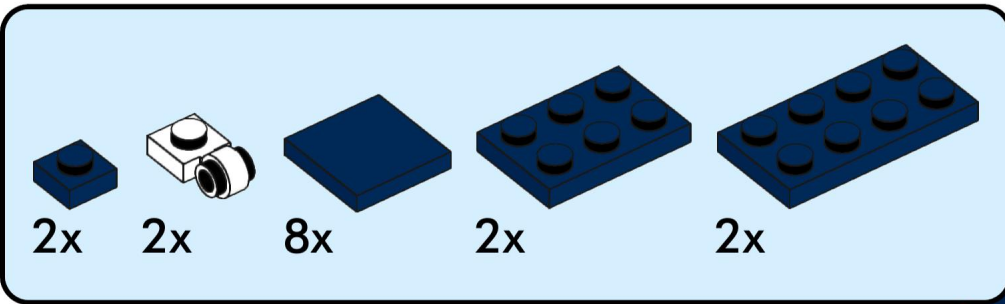
9



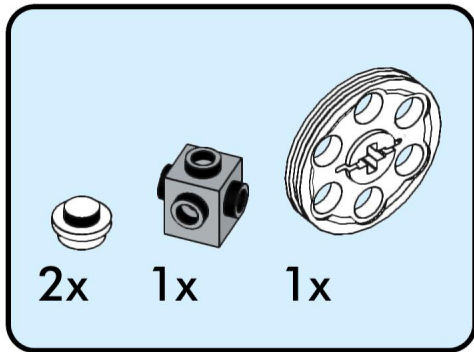
4



6



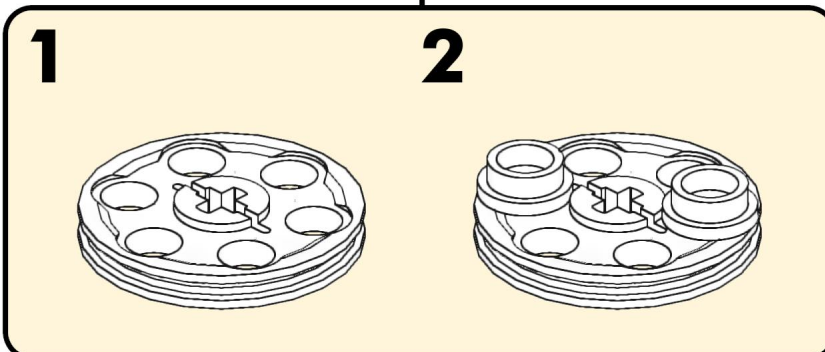
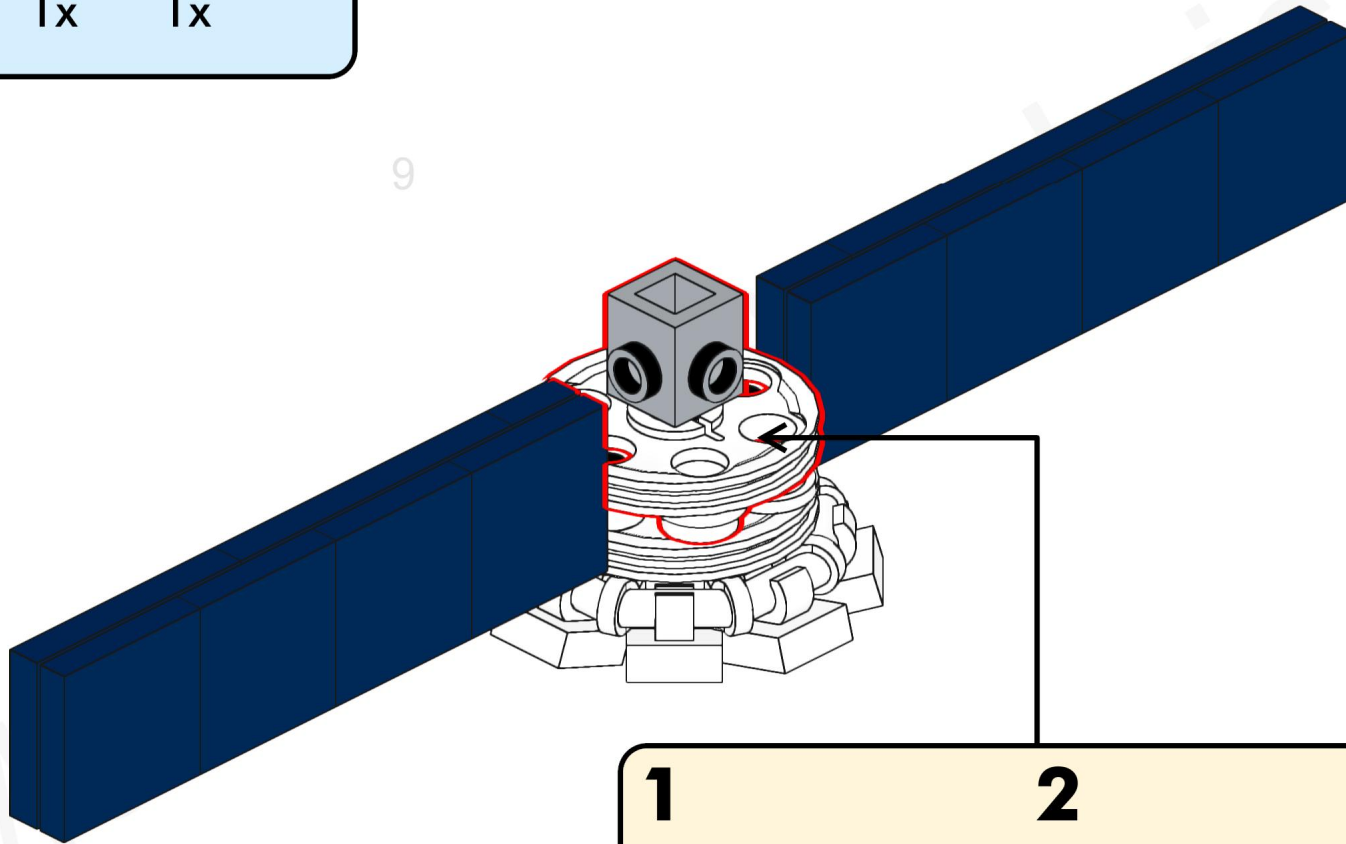
7



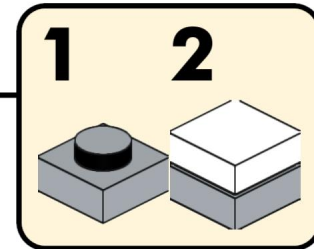
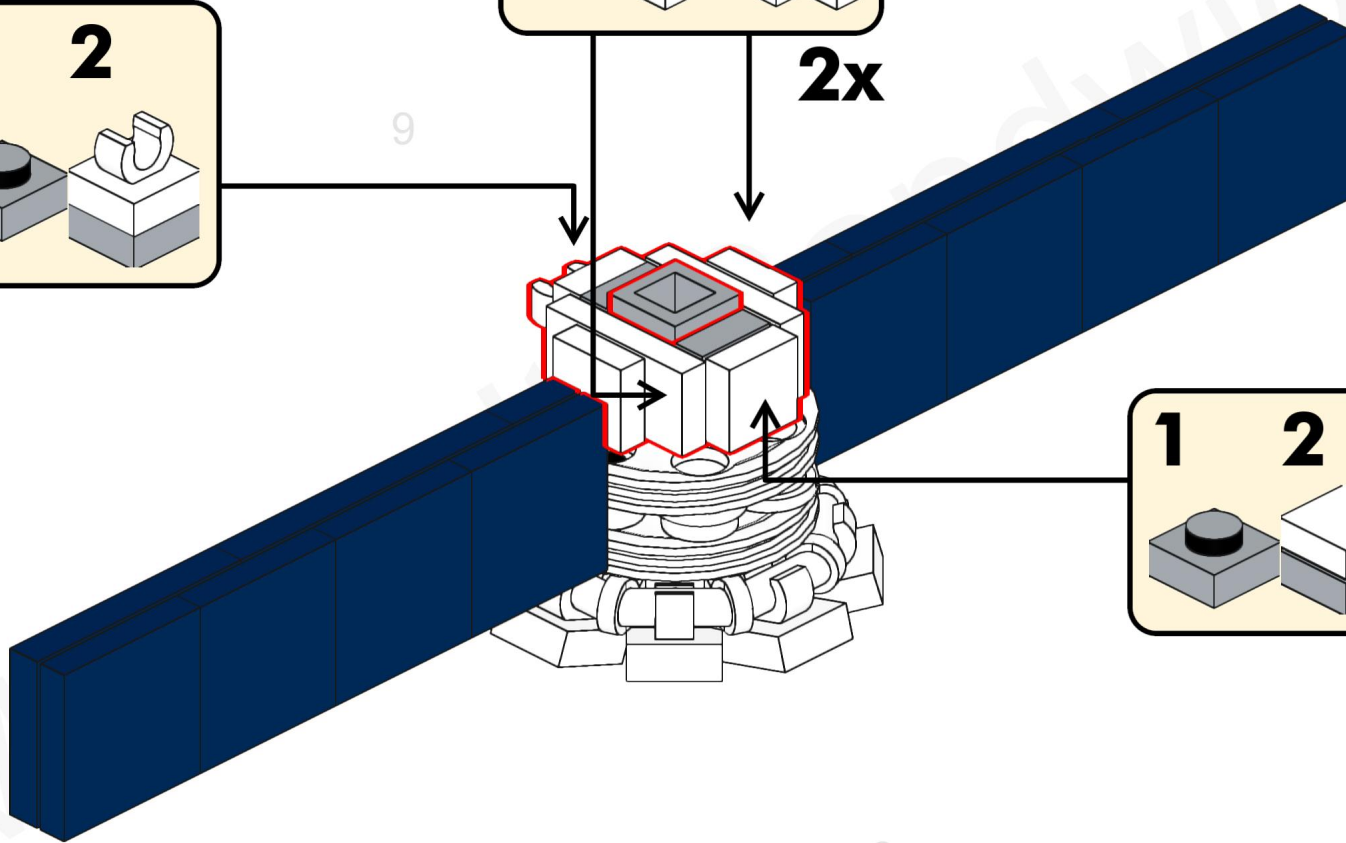
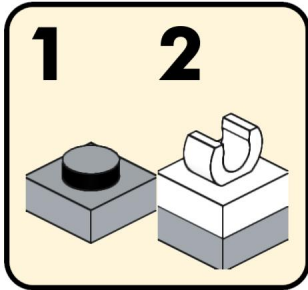
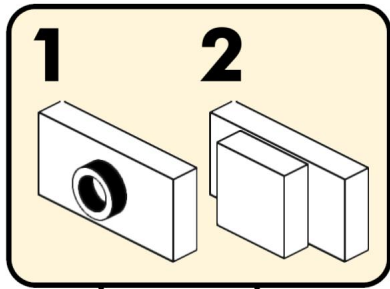
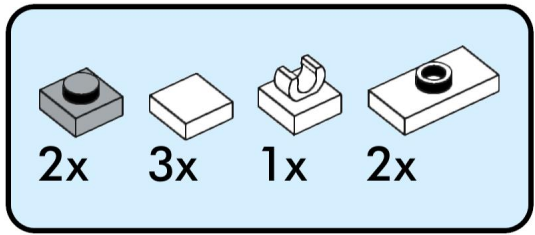
8

9

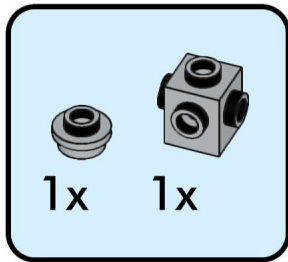
4



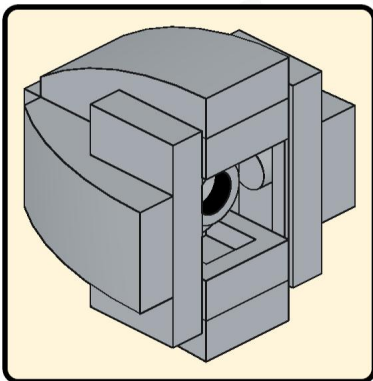
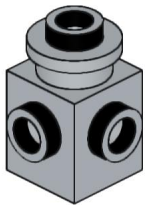
8



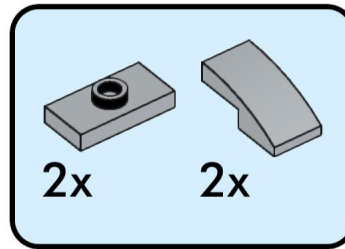
9



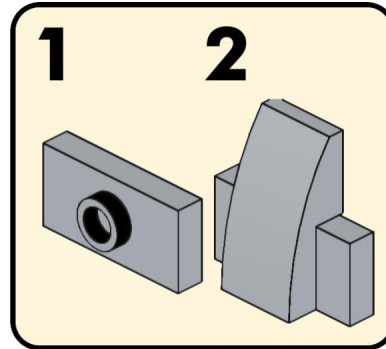
8



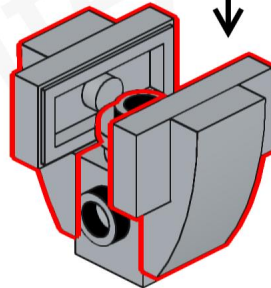
10



9

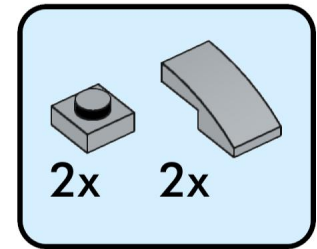


2x

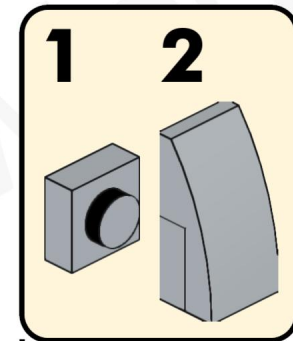


6

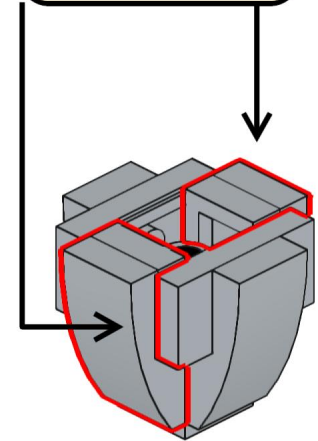
11



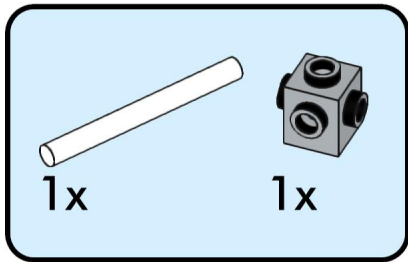
4



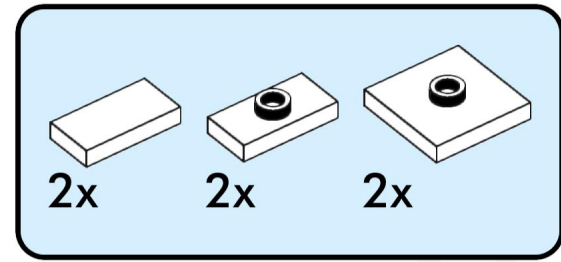
2x



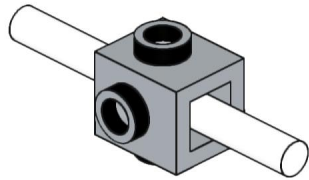
12



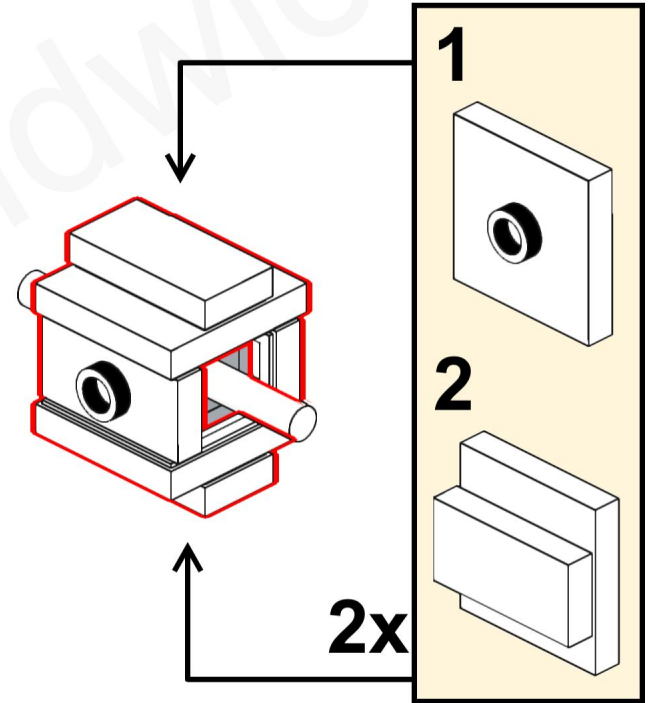
13



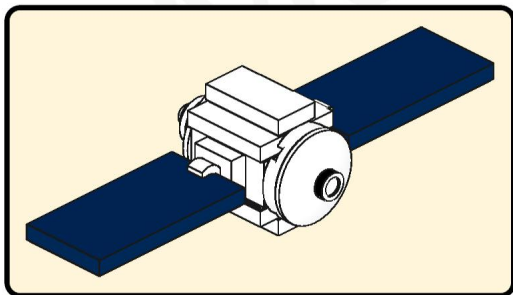
8



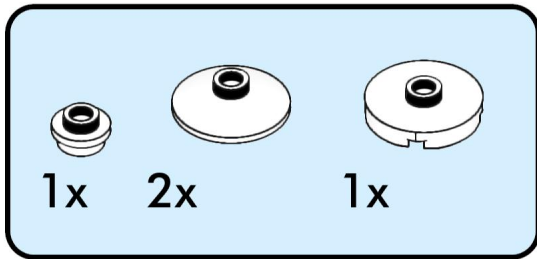
9



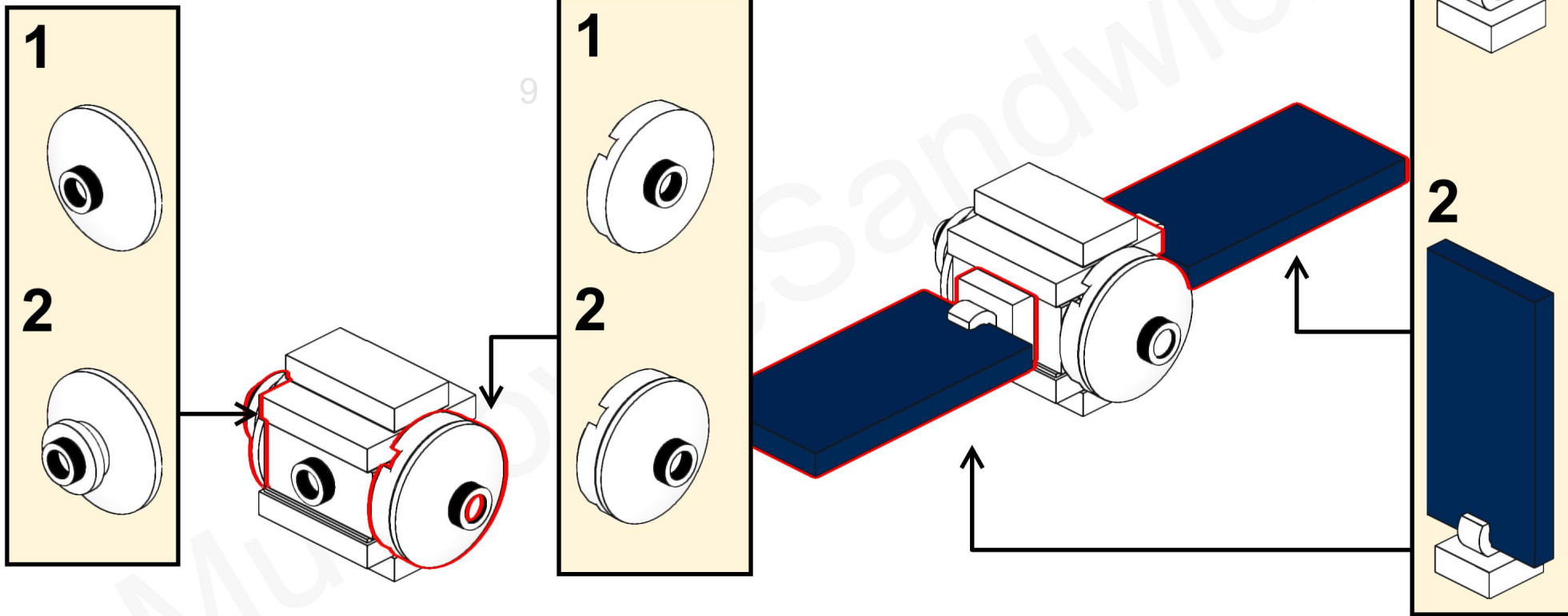
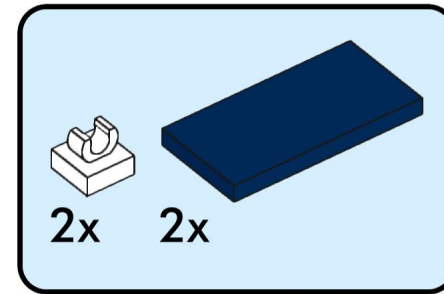
6



14

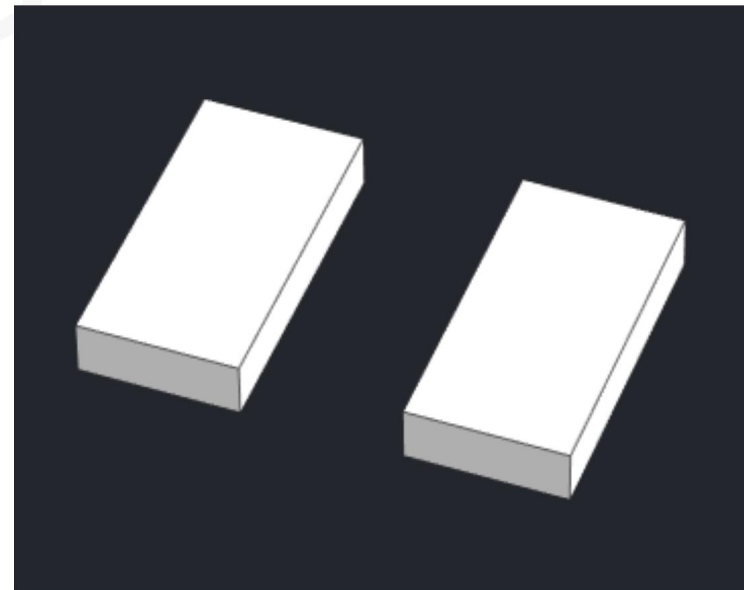
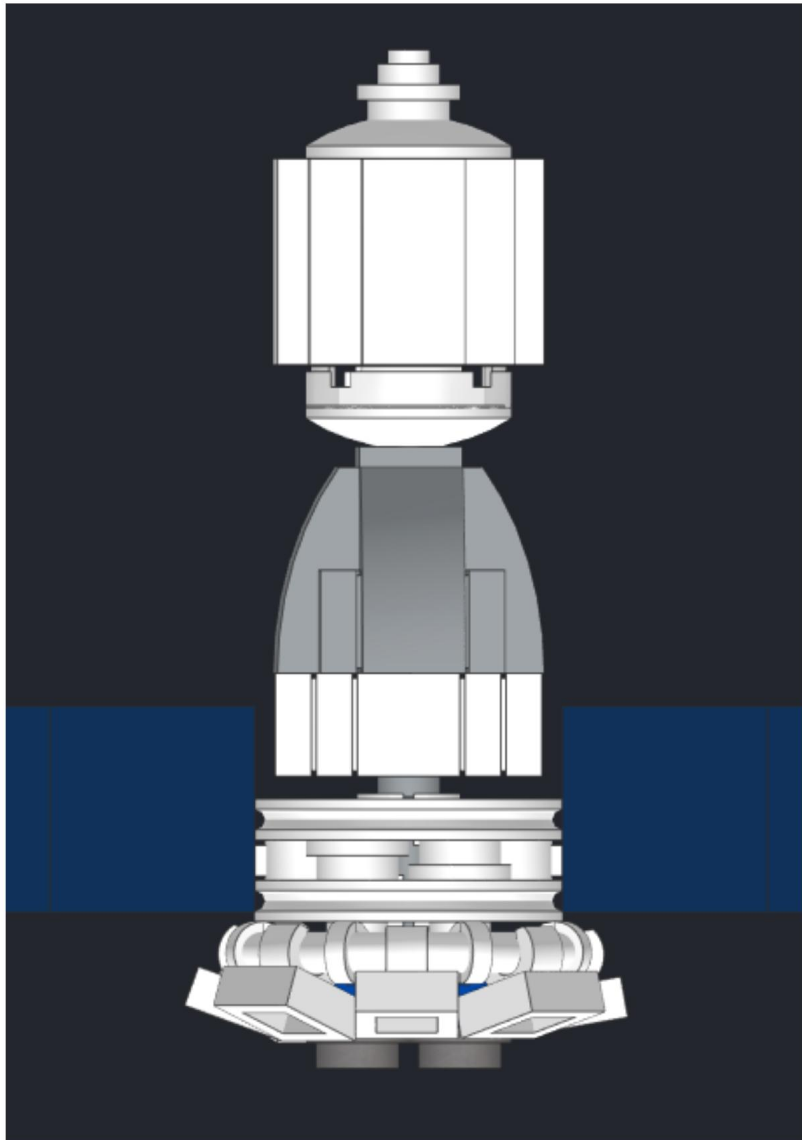


15

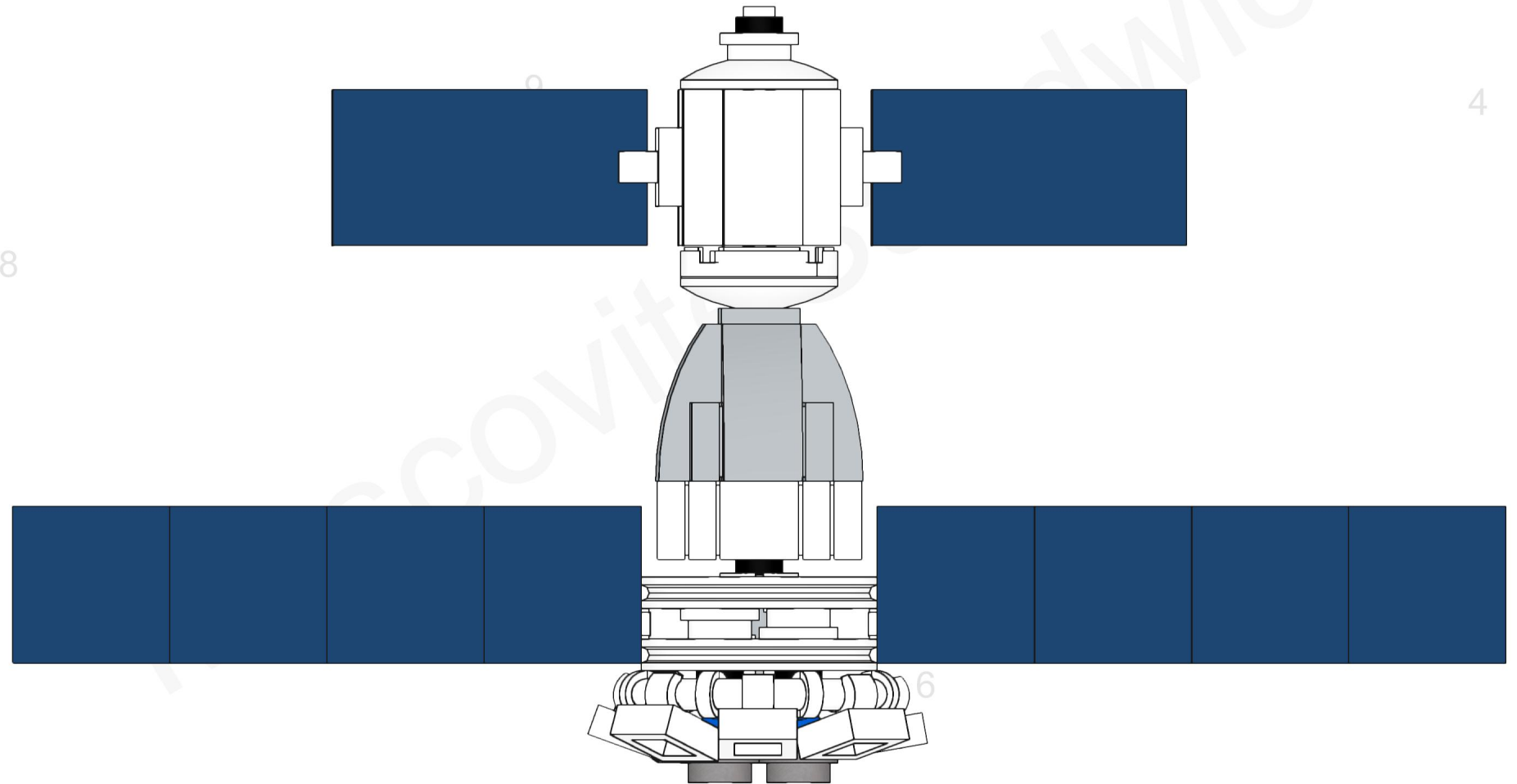
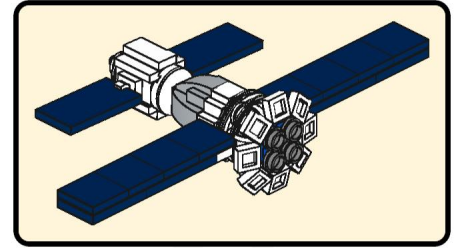


Later versions of the capsule did not have solar panels on the orbital module, so I've included 2 1x2 tiles to fill in the gap

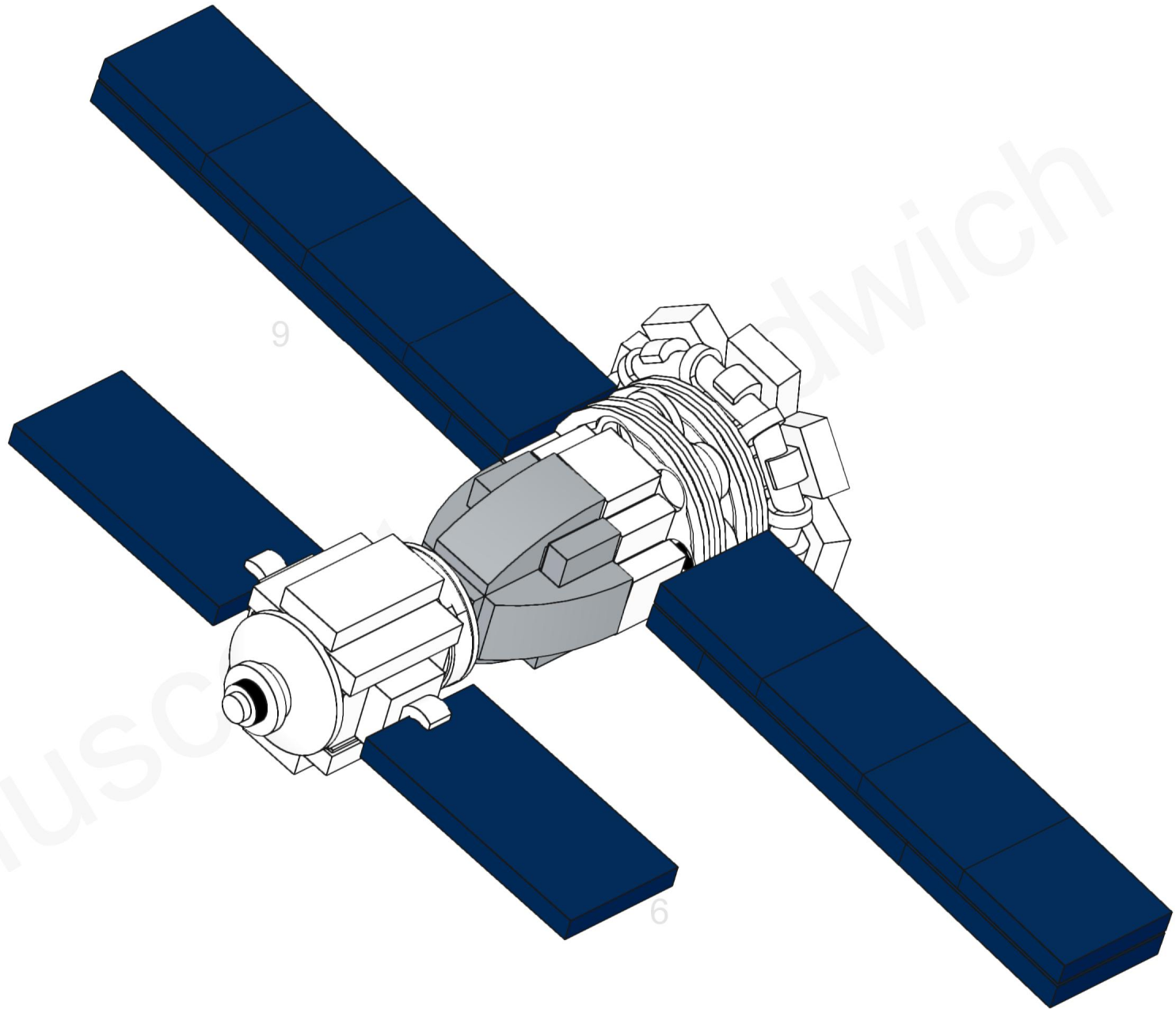
4



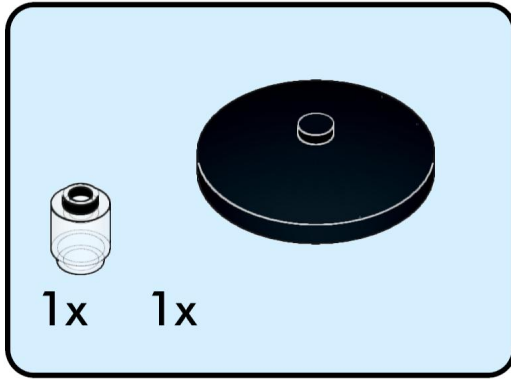
16



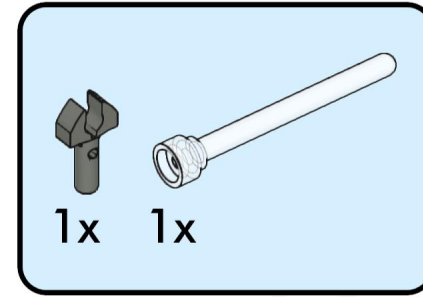
17



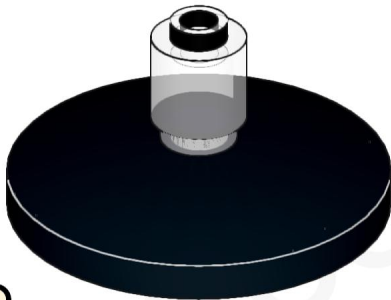
18



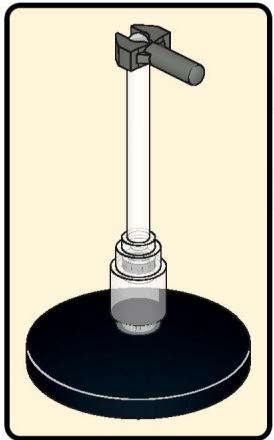
19



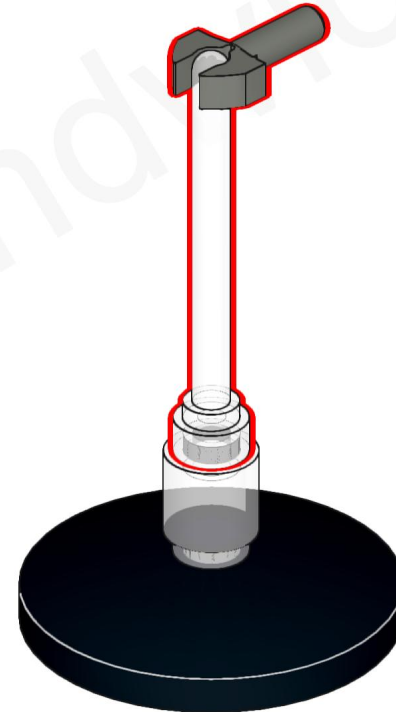
8



9

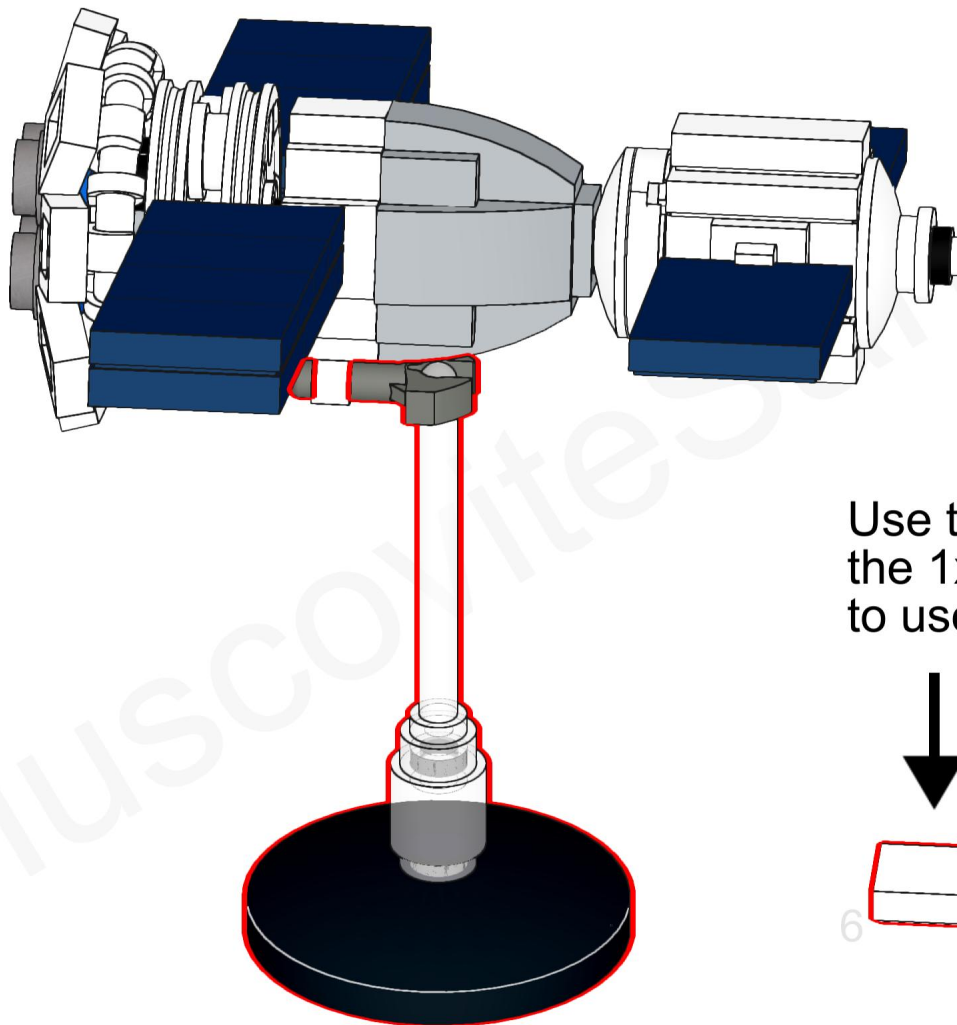
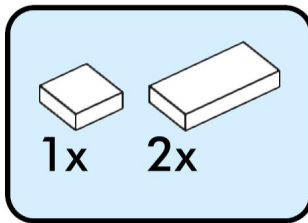


4

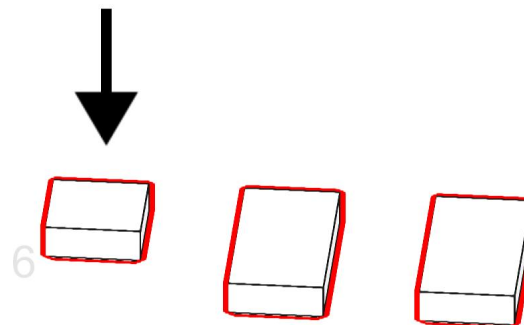


6

20

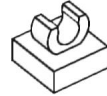


Use this 1x1 tile to replace the 1x1 clip if you don't want to use the stand

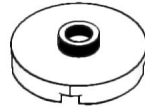




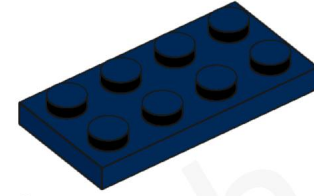
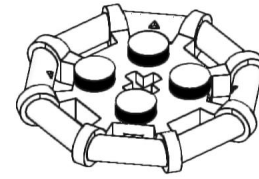
3x
4733, 86



11x
15712, 1

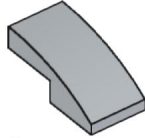


1x
18674, 1

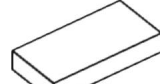


2x
3020, 63

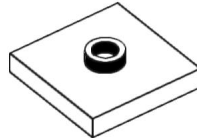
1x
3960, 11



4x
11477, 86

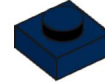


4x
3069b, 1

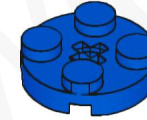


2x
87580, 1

1x
75937, 1



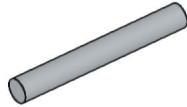
2x
3024, 63



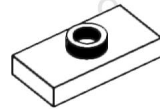
1x
4032, 7



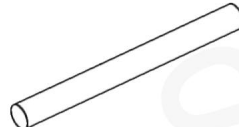
1x
48729b, 85



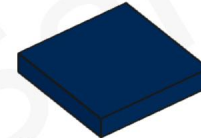
1x
87994, 86



2x
3794b, 1



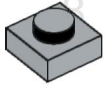
1x
30374, 1



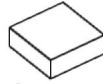
8x
3068b, 63



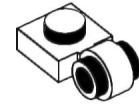
1x
3062b, 12



4x
3024, 86



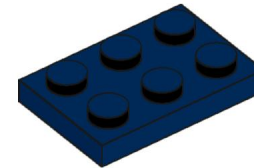
4x
3070b, 1



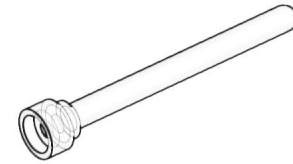
2x
4081b, 1



2x
4185, 1



2x
3021, 63



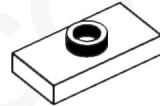
1x
3957, 12



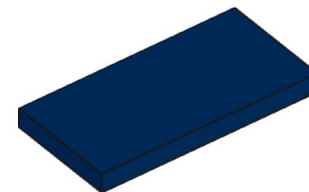
1x
85861, 86



4x
4073, 1



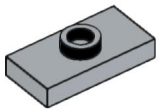
2x
15573, 1



2x
87079, 63



4x
4073, 95



2x
3794b, 86



1x
85861, 1



2x
4740, 1